

Molteni & C

D.235.1 Montecatini chair — GIO PONTI 1938 / 2012

1—
2



Gio Ponti designed the first Montecatini building at Largo Donegani in Milan in 1938. He designed everything, architecture and furnishings: desks, lamps, wardrobes and the Montecatini chair. With the approval of the Ponti heirs, Molteni is reworking the Montecatini chair D.235.1 entirely in aluminium.

DATASHEET

REGISTERED
DESIGN

IX.2023

D.235.1
MONTECATINI CHAIR –
GIO PONTI
1938 / 2012

FINISHES

Version entirely built from polished aluminium.

Notes

Can be ordered, upon request, only for deliveries in minimum batches of 100 pieces and delivery times to be determined.

TECHNICAL INFORMATION

STRUCTURE

Tubular structure in extruded folded aluminium. Glossy finish created by mechanical brushing.

SEAT AND BACK

Unit in moulded aluminium. Glossy finish created by mechanical brushing.

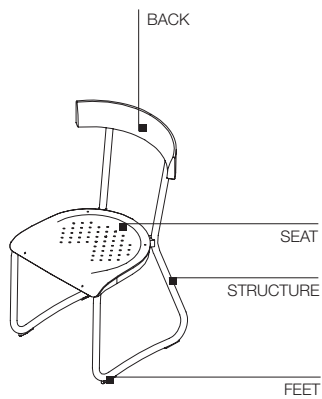
FEET

Plastic.

Molteni & C

2—

2

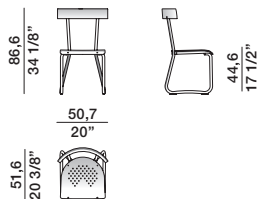


D.235.1

DIMENSIONS

chair

D.235.1



DATASHEET

REGISTERED
DESIGN

IX.2023

moltenigroup.com

Dimensions in centimeters and inches. The right to discontinue and make changes is reserved. This information is based on the latest product information available at the time of printing.