

# Molteni & C

## FULHAM — RODOLFO DORDONI 2015

1—  
4



Fulham Road, in the heart of the City of London, gives its name to the bed that the Milanese designer has created for a comfortable and regenerating night's sleep. The wooden base, available in a range of colours to match any bedroom décor, makes the bed the protagonist of itself. The wrap-around textile or leather headboard provides a cosy and relaxing niche in which to rest, read or watch television. A bench to be placed at the foot of the bed completes the project.

**In case of customer slatted base and/or mattress, check the correspondence of the measurements with the standard ones in the price list.**



This symbol shows that the product has removable upholstery. Only qualified personnel can remove the upholstery of some of our products. If this information is pertinent, it will be included in the warnings section.



This symbol shows that the product is available on request in a fire resistant version that complies with the standards BS 5852 and TB 117-2013. The buyer is responsible for checking to make sure that the product is suitable and compliant with the requirements for the designated use and the current applicable laws and standards for the destination and use of the product.

DATASHEET

REGISTERED  
DESIGN

IX.2023

[moltenigroup.com](http://moltenigroup.com)

Dimensions in centimeters and inches. The right to discontinue and make changes is reserved. This information is based on the latest product information available at the time of printing.

## FINISHES

### WOOD FINISHES

solid wood stained:

eucalyptus - graphite oak - black oak - coffee oak

## TECHNICAL INFORMATION

### STRUCTURE (BED AND BENCH)

In solid wood stained. Feet in non-slip plastic.

### HEADBOARD (BED)

Internal structure in Polimex (composite polyester/polyurethane material) covered with density high-resistance foam polyurethane. Light velvet cover.

### BED SURROUND (LOW AND HIGH BED SURROUND)

Metal frame with polyurethane foam padding. Light velvet cover.

### SEAT (BENCH)

Internal structure is a solid firwood (Picea abies) frame and chipboard, with elastic straps. Padding in variable density high-resistance foam polyurethane. Light velvet cover.

### REMOVABLE OUTER COVERS

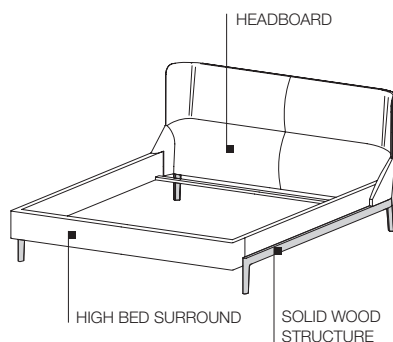
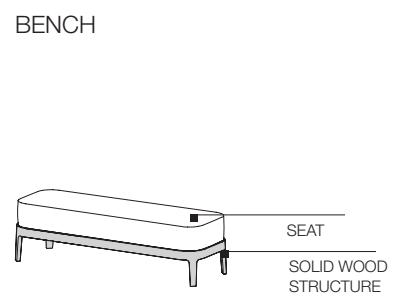
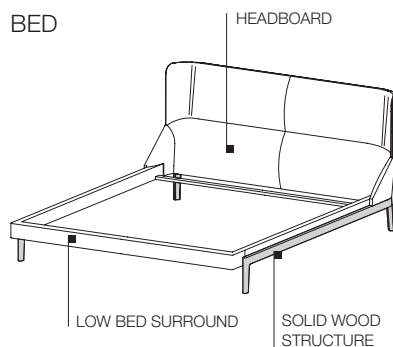
(See attached card, specific for each cover).

### SLATTED BASE SUPPORT (HIGH BED SURROUND VERSION)

Metal with soft PVC cover.

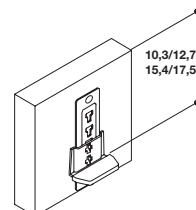
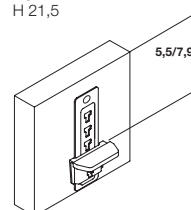


AVAILABLE IN FIRE-RESISTANT  
VERSION TB117 AND BS5852



### SLATTED BASE SUPPORT

high bed surround  
H 21,5



## DATASHEET

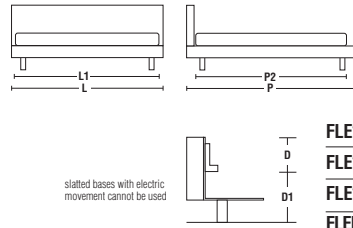
REGISTERED  
DESIGN

IX.2023

**DIMENSIONS**

**Notes**

- ▶ Slatted bases with electric movement cannot be used.
- ▶ Depth of 210 cm (82 3/4") (inner measurement) is also available on FLE16 - FLE17 - FLE18 - FLE20.



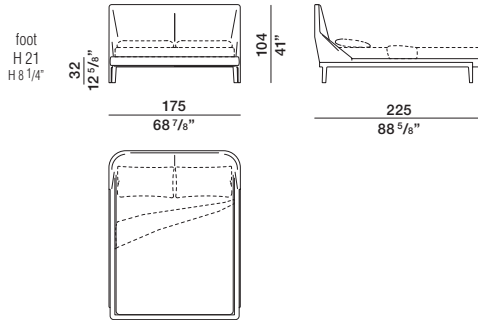
slatted bases with electric movement cannot be used

	INNER DIMENSIONS		OUTER DIMENSIONS			
	L1	P2	L	P	D / D1	D / D1
	Width	Length	Width	Length	Space for insertion of the slatted base	Space for insertion of the slatted base
<b>FLE16B-16A</b>	160 63"	200 78 3/4" <small>standard model *</small>	175 68 7/8"	225 88 5/8" <small>standard model *</small>	<b>7,9 / 24,1</b> 3 1/8" / 9 1/2"	<b>5,5 / 37</b> 2 1/8" / 14 5/8" <b>7,9 / 34,6</b> 3 1/8" / 13 5/8" <b>10,3 / 32,2</b> 4" / 12 5/8" <b>12,7 / 29,8</b> 5" / 11 3/4" <b>15,4 / 27,1</b> 6 1/8" / 10 5/8" <b>17,5 / 25</b> 6 7/8" / 9 7/8"
<b>FLE17B-17A</b>	170 66 7/8"	200 78 3/4" <small>standard model *</small>	185 72 7/8"	225 88 5/8" <small>standard model *</small>		
<b>FLE18B-18A</b>	180 70 7/8"	200 78 3/4" <small>standard model *</small>	195 76 3/4"	225 88 5/8" <small>standard model *</small>		
<b>FLEKSB-KSA</b>	195 76 3/4"	205 80 3/4"	210 82 3/4"	230 90 1/2"		
<b>FLE20B-20A</b>	200 78 3/4"	200 78 3/4" <small>standard model *</small>	215 84 5/8"	225 88 5/8" <small>standard model *</small>		
		* 210 on request 82 3/4"		* 235 on request 92 1/2"		

bed taking a single slatted base or 2 individual slatted bases

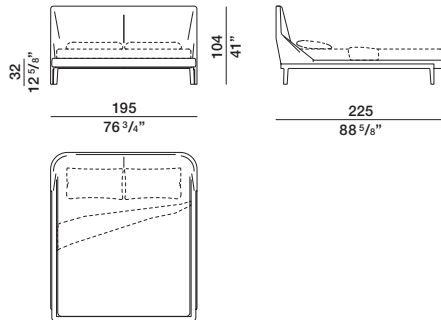
lower bedframe

**FLE16B**



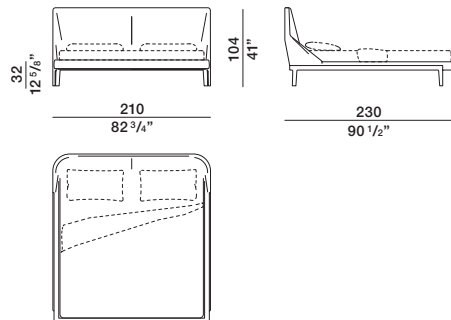
lower bedframe

**FLE18B**

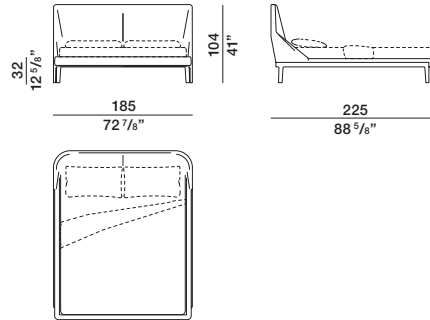


lower bedframe

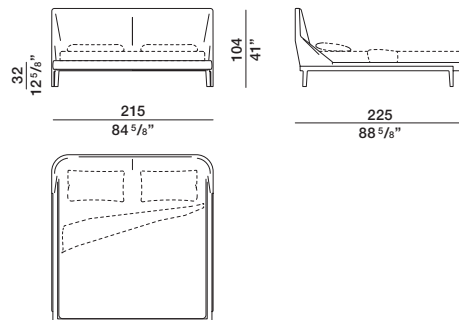
**FLEKSB**



**FLE17B**



**FLE20B**



**DATASHEET**

REGISTERED  
DESIGN

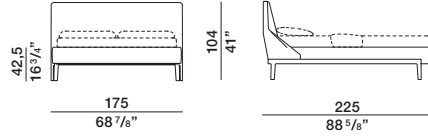
IX.2023

**DIMENSIONS**

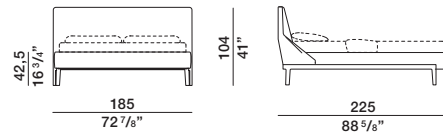
bed taking a single slatted base  
 or 2 individual slatted bases

**higher bedframe**

**FLE16A**

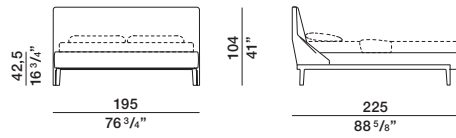


**FLE17A**



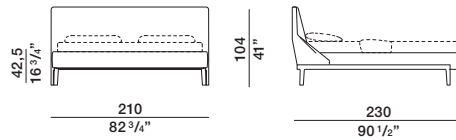
**higher bedframe**

**FLE18A**

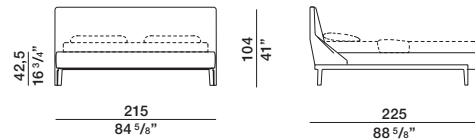


**higher bedframe**

**FLEKSA**

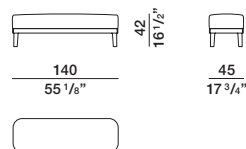


**FLE20A**



**bench**

**FPA1**



DATASHEET

REGISTERED  
 DESIGN

IX.2023