

# Molteni & C

## ARCHWAY — RODOLFO DORDONI 2023

1—  
5



Archway is striking in its new concept of composition, with an elegant silhouette and modern flair. The door extends beyond the top, creating the handle. The centre contains an open compartment with a drawer that lends a sense of movement. Archway always features a wood base that encloses a practical drawer. Exquisitely finished on both sides, it can be placed against a wall or in the centre of a room like a divider. The sideboard can be personalised in the glossy lacquer shades available in the catalogue. Contrasting with the structure, the top, cut at 45°, is available in wood or marble. The specially-designed hinges are inserted in the side panel of the sideboard. With its versatility, the Archway sideboard is perfect for the dining room or living room.

### DATASHEET

REGISTERED  
DESIGN

IX.2023

**NOTES**

- ▶ No reductions of any kind or changes to the types are possible.
- ▶ The base is always made with two fully extractable drawers with mechanical pressure opening.
- ▶ The upper top and the top above the open compartment drawer are always made with the same finish.  
For marble top, specify the type of finish: matt or glossy polyester.
- ▶ The cupboards can be accessorised with:
  - LED lighting system.
  - drawer bottom kit in Eco Skin.

**Molteni & C**

finishes	glossy lacquer colours	coffee oak / limba	Sahara noir / calacatta / black marquina	smoked glass
<b>components</b>				
doors / side panels / back panel				
upper top and open compartment drawer top			*	
base with drawers				
open compartment drawer front				
internal shelves				

Handle profile: glossy black nickel.

Drawer interior: grey saffiano.

Under top: black melamine.

Bottoms: Grey Eco Skin.

\* marbles available in matt or glossy polyester finish

2—  
5

**DATASHEET**

REGISTERED  
DESIGN

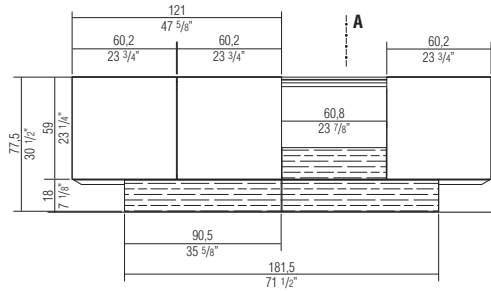
IX.2023

**MODULARITY**

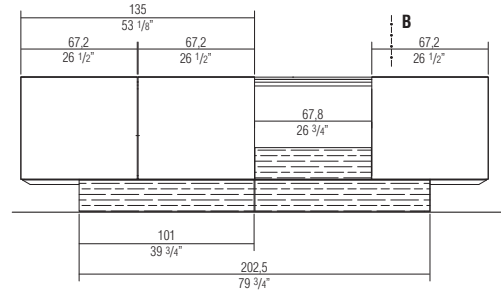
Molteni & C

3—  
5

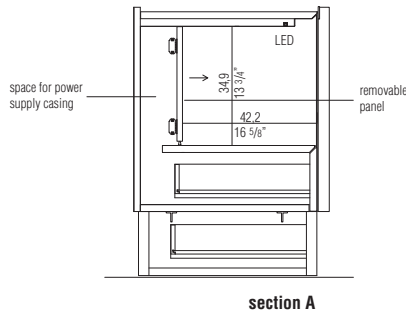
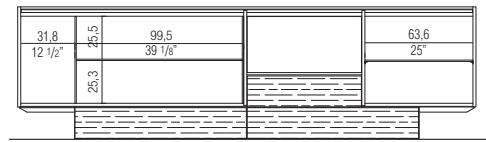
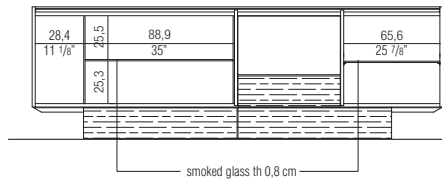
**W 242 - 95 1/4"**



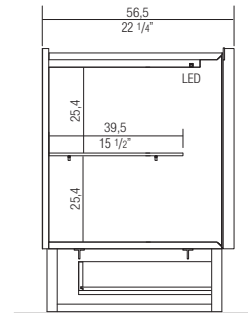
**W 270 - 106 1/4"**



**Inside**



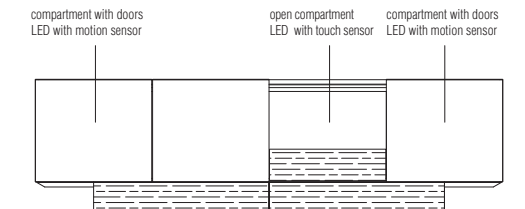
**section A**



**section B**

**Optional lighting system**

The system must be always connected to a controlled outlet.  
Remote control and DALI kit are not available.



**DATASHEET**

REGISTERED  
DESIGN

IX.2023

## TECHNICAL INFORMATION

### DOORS, BACK, SIDE PANELS, BASE

Chipboard panel with melamine facing painted in the Molteni&C colour range.  
Door handle profile in painted extruded aluminium.

### UPPER TOP, BASE, DRAWER AND OPEN COMPARTMENT TOP

Chipboard panel coated with an coffee Oak or Limba wood veneer.  
Structural reinforcement on a base in painted metal.

### MARBLE TOP

Marble with matt finish or glossy polyester.

### GLASS SHELVES

Smoked crystal th 8 mm, tempered.

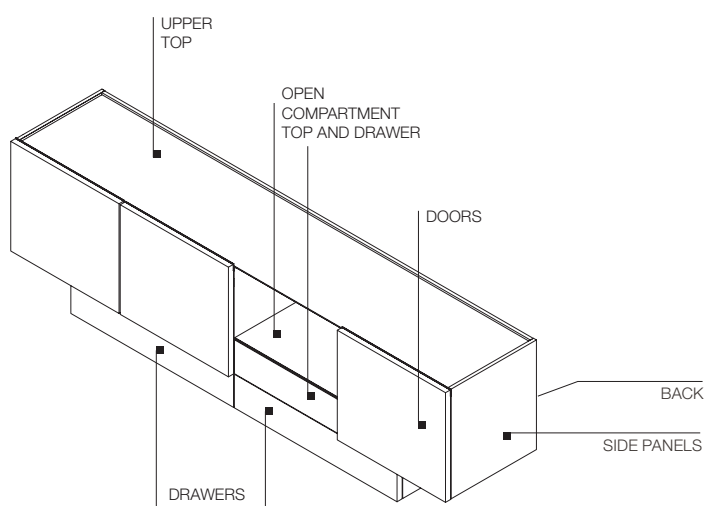
### UNDER TOP, BASE BOTTOM AND DRAWER INTERIOR

Chipboard panel with melamine facing.

# Molteni&C

4—

5



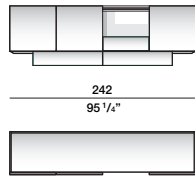
## DATASHEET

REGISTERED  
DESIGN

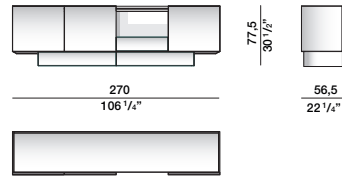
IX.2023

## DIMENSIONS

### cupboards



MA07/24



MA07/27

### internal shelves

for cupboard  
**W 242**



RI07/24



RI24

for cupboard  
**W 270**



RI07/27



RI27

### lighting system

for cupboard W 242  
**EIL07/24**

for cupboard W 270  
**EIL07/27**

### kit Eco Skin bottom

n. 1 W 56,3 D 37,6  
 n. 2 W 81,7 D 37,6

n. 1 W 63,3 D 37,6  
 n. 2 W 92,2 D 37,6

for cupboard W 242  
**CEK24**

for cupboard W 270  
**CEK27**

# Molteni & C

5—  
 5

DATASHEET

REGISTERED  
 DESIGN

IX.2023

[moltenigroup.com](http://moltenigroup.com)

Dimensions in centimeters and inches. The right to discontinue and make changes is reserved. This information is based on the latest product information available at the time of printing.