

Molteni & C

TIBEAU — GAMFRATESI 2026

1—
3



The Tibeau bedside table celebrates wood as its protagonist, with a robust and bold design that dialogues with Molteni&C's historical heritage and craftsmanship tradition. Its distinctive element is the "T"-shaped silhouette, drawn from the bed introduced in the 2025 Collection, giving personality to the project and inspiring its name. The design evokes tribal references while establishing a deep connection with the past. As with the sideboard, the wood frame combines with a marble top that adds precious materiality and a sense of tactile balance. The Tibeau bedside table completes the bedroom, embodying Stine Gam and Enrico Fratesi's signature conceptual rigor and poetic sensitivity.

DATASHEET

REGISTERED
DESIGN

2026

FINISHES

WOOD FINISHES
ash wood stained
coffee oak

MARBLES (Cat. M1)
emperador dark
black marquina
rain forest green

MARBLES (Cat. M5)
breccia capraia
maldive white
red lepanto
sahara noir

MARBLES (Cat. M9)
bronzite

Molteni & C

2—
3

TECHNICAL INFORMATION

STRUCTURE

Particleboard panels and medium density fibreboard fronts covered with Ash (Fraxinus Excelsior) wood veneer.

DRAWER

Medium density fibreboard panels covered with Ash wood veneer (Fraxinus Excelsior).

BASE

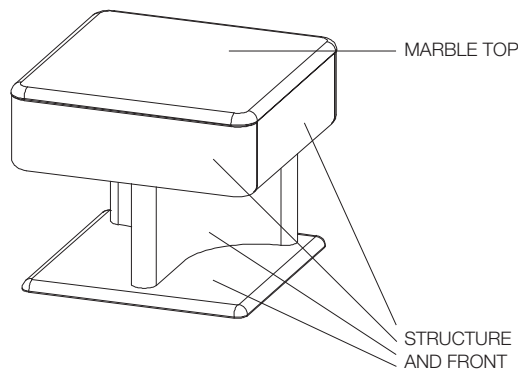
Medium density fibreboard panels covered with Ash wood veneer (Fraxinus Excelsior).

MARBLE TOP

30 mm thick marble in the types of the Molteni range foreseen for the model.

ADJUSTABLE FEET

Non-slip plastic material.



DATASHEET

REGISTERED
DESIGN

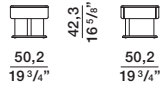
2026

DIMENSIONS

Notes

Partially extractable drawer with pressure opening and a ash wood stained coffee oak tray.

bedside table



marbles top
Cat. M1
TCD1

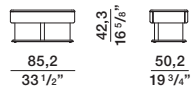
marbles top
Cat. M5

marble top
Cat. M9

Molteni & C

3—
3

bedside table



marbles top
Cat. M1
TCD2

marbles top
Cat. M5

marble top
Cat. M9

DATASHEET

REGISTERED
DESIGN

2026