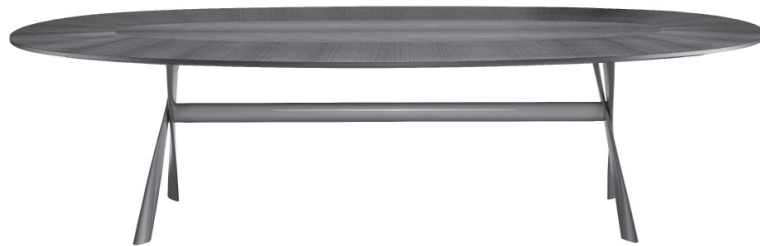


Molteni & C

GATWICK — RODOLFO DORDONI 2019

1—
3



This table takes the name of London's Gatwick airport, one of the busiest in the world. It is the particular structure of twisted and criss-cross steel recalling an airplane propeller or a helicopter blade that inspired the name. The aluminium frame in several contemporary finishes, supports elegant rectangular or oval tops of different sizes.

DATASHEET

REGISTERED
DESIGN

IX.2023

FINISHES

STRUCTURE FINISHES

iris (satin finish)
pewter colour (satin finish)
black nickel

MARBLE TOP FINISHES

orient grey
Sahara noir
calacatta

INLAID WOOD

TOP FINISH
eucalyptus

Molteni & C

TECHNICAL INFORMATION

WOOD TOP

Shaped MDF panel covered with wood veneer in eucalyptus (Eucalyptus Globulus).

MARBLE TOP

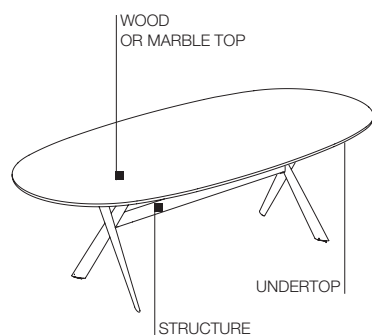
Marble in the range of finishes specific for the product.

STRUCTURE

In extruded aluminium, bent to form the leg, painted in a range of finishes specific for the product. Joint connects the leg with the aluminium crosspiece. Fixing bracket between structure and table top in metal with painted epoxy finish. Plastic feet with felt pads.

UNDERTOP

Chipboard panel covered with melamine facing.



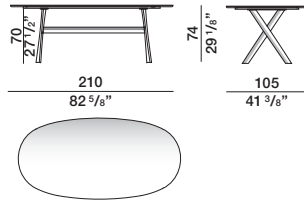
DATASHEET

REGISTERED
DESIGN

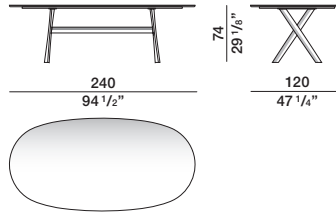
IX.2023

DIMENSIONS

oval tables

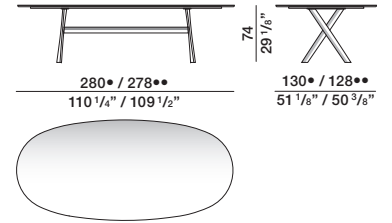


pewter colour/ black nickel
iris structure structure
GT021/10



pewter colour/ black nickel
iris structure structure
GT024/12

marble top •
inlaid wood top ••



pewter colour/ black nickel
iris structure structure
GT028/13

Molteni & C

3—
3

DATASHEET

REGISTERED
DESIGN

IX.2023

moltenigroup.com

Dimensions in centimeters and inches. The right to discontinue and make changes is reserved. This information is based on the latest product information available at the time of printing.