

Molteni & C

SINCRO — STUDIO KLASS 2024 By UniFor

1—
5



The Sincro partition walls are at the pinnacle of mechanical precision and minimalist design. Designed to seamlessly integrate into contemporary living and working spaces, Sincro doors blur the lines between residential and professional environments. At the forefront of innovation, the Molteni Group presents the Sincro sliding doors as a testament to its technical expertise and commitment to excellence. Crafted with precision-engineered aluminum profiles and transparent glass panels, Sincro doors offer a perfect balance of strength and subtlety. Available in sunrise oak and coffee oak finishes for the profiles, and pewter and iris for the metal parts, Sincro harmonizes effortlessly with the materials used across the Molteni&C collections. The smooth and synchronized movement of the doors, facilitated by impeccable engineering, ensures stability, uniformity, and elegance in motion. With its understated aesthetic and flawless functionality, Sincro sliding doors elevate any space with a touch of modern sophistication.

DATASHEET

REGISTERED
DESIGN

IV.2024

[moltenigroup.com](https://www.moltenigroup.com)

Dimensions in millimeters and inches. The right to discontinue and make changes is reserved. This information is based on the latest product information available at the time of printing.

FINISHES

Finishes	sunrise oak	coffee oak	extra clear glass	pewter colour iris
components				
door frame/cover/jamb	•	•		
door glass			•	
handle/ornamental profiles				•

TECHNICAL INFORMATION

CEILING / RECESSED TRACK

Black extruded anodized aluminium with black anodized aluminium cover made of wood veneer in sunrise oak or coffee oak finish.

SIDE WALL JAMB

Black extruded anodized aluminium with black anodized aluminium cover made of wood veneer in sunrise oak or coffee oak finish.

SLIDING DOORS / FIXED PANELS

Black extruded anodized aluminium frame covered with wood veneer in sunrise oak or coffee oak finish, with extra clear tempered glass th. 8 mm. Handle and ornamental profiles in raw satin-finish aluminium painted in Pewter Colour or Iris finishes.

COUNTER-FRAME FOR RECESSED COMPARTMENT

Galvanized iron sheet-metal frame.

DIMENSIONS

Sincro door application range:

- Single-door composition: closable compartment opening from 1880 to 4855 mm
- Double-door composition: closable compartment opening from 3715 to 9965 mm
- Maximum height from floor to ceiling (external track) or false ceiling (recessed track) 3000 mm

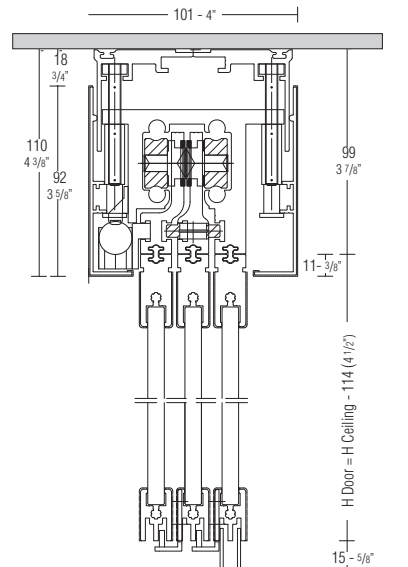
DIAGRAMS FOR ATTACHING THE TRACK TO THE CEILING (VISIBLE)

Notes

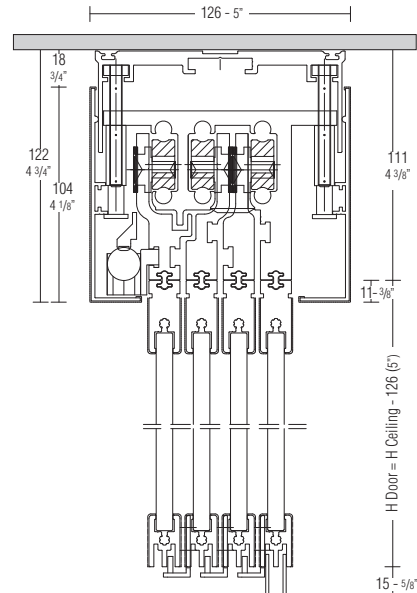
- Maximum height from floor to ceiling 3000 mm
- **Double openings can only be made by matching tracks of the same size.**
- **The anchors for attachment to the ceiling are not included.**
- **The Customer is responsible for verifying the load capacity of the ceiling where the doors are attached, given that the average weight of each door is 28 kg/m². It is important to check the maximum load capacity at the point where the doors are open.**

VERSION WITH FIXED PANEL

S111



S121



DATASHEET

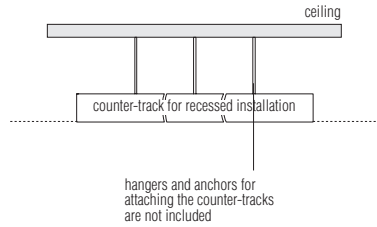
REGISTERED
DESIGN

IV.2024

DIAGRAMS FOR ANCHORING THE RECESSED TRACK FOR FALSE CEILING

Notes

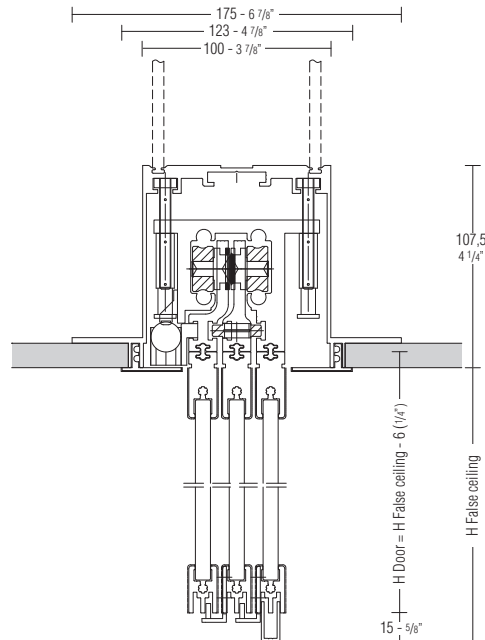
- Maximum height from floor to false ceiling 3000 mm
- **The Customer is responsible for verifying the load capacity of the ceiling where the doors are attached, given that the average weight of each door is 28 kg/m². It is important to check the maximum load capacity at the point where the doors are open.**
- Double openings can only be made by matching tracks of the same size.



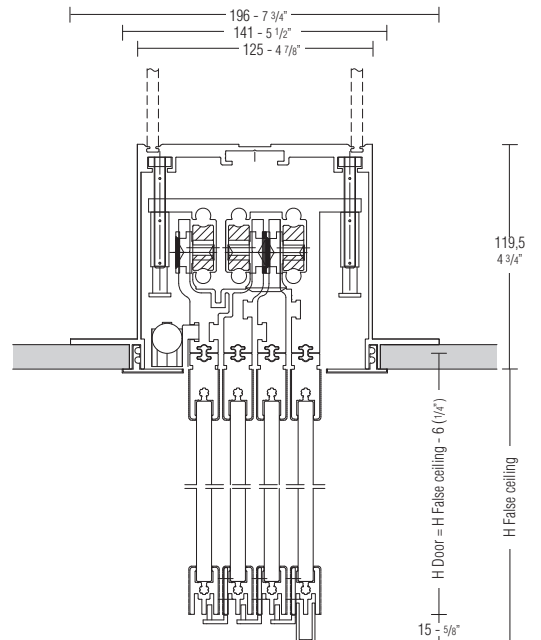
Molteni & C

3—
5

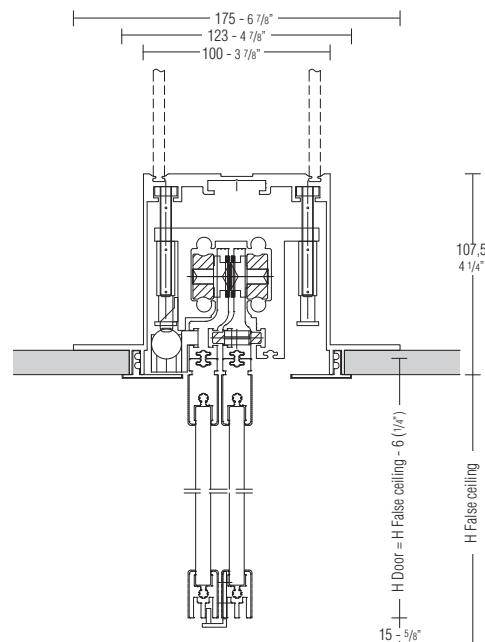
VERSION WITH FIXED PANEL C111



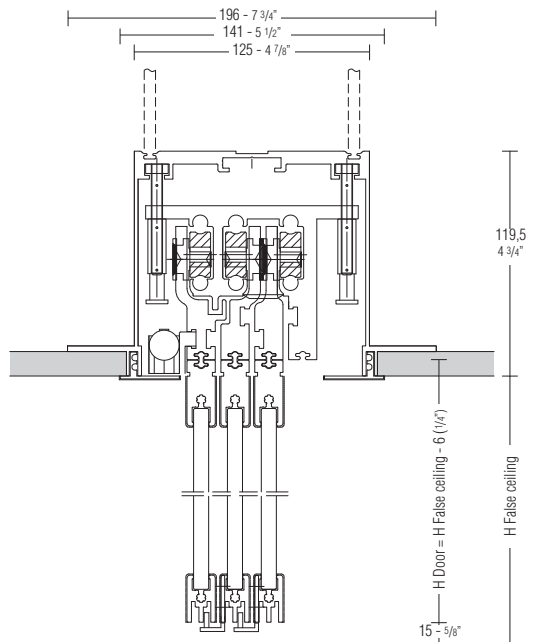
C121



VERSION WITH RECESSED COMPARTMENT C110



C120



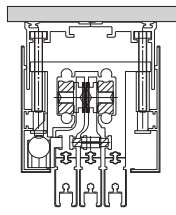
DATASHEET

REGISTERED
DESIGN

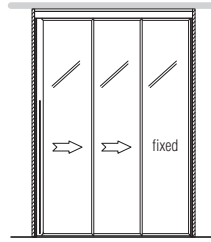
IV.2024

CEILING TRACKS

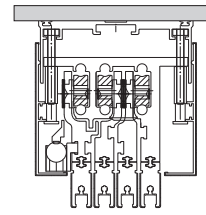
track
type S111



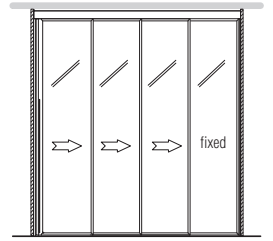
BIS111



track
type S121



BIS121

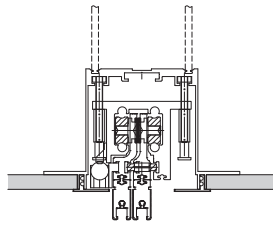


Molteni & C

RECESSED TRACKS (FOR FALSE CEILING)

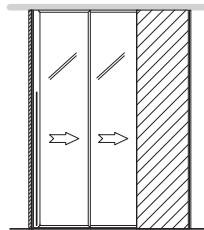
4—
5

track
type C110

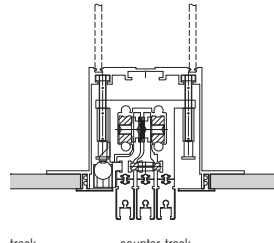


track
BIC110

counter-track
CBC110

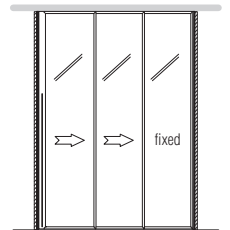


track
type C111

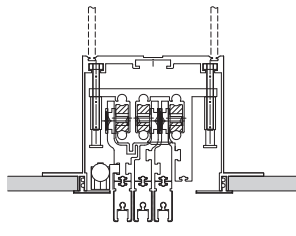


track
BIC111

counter-track
CBC111

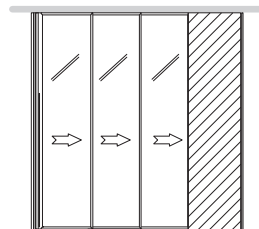


track
type C120

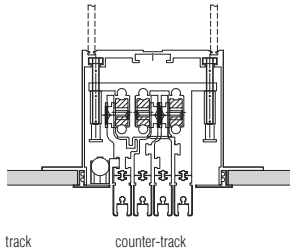


track
BIC120

counter-track
CBC120

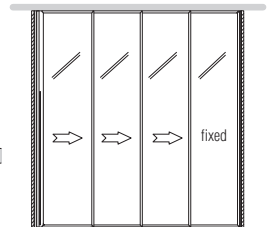


track
type C121



track
BIC121

counter-track
CBC121



DATASHEET

REGISTERED
DESIGN

IV.2024

moltenigroup.com

Dimensions in millimeters and inches. The right to discontinue and make changes is reserved. This information is based on the latest product information available at the time of printing.

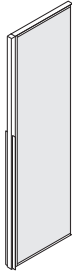
SLIDING DOORS / FIXED PANELS

With handle

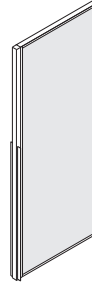
A - from 680-26 3/4" to 880-34 5/8" mm

B - from 881-34 5/8" to 1080-42 1/2" mm

C - from 1081-42 1/2" to 1280-50 3/8" mm



PSM08



PSM10



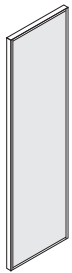
PSM12

Without handle

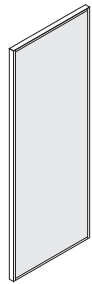
A - from 600-23 5/8" to 800-31 1/2" mm

B - from 801-31 1/2" to 1000-39 3/8" mm

C - from 1001-39 3/8" to 1200-47 1/4" mm



PSS08

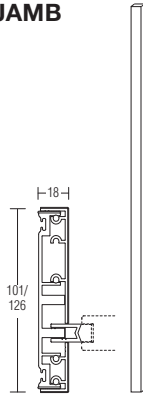


PSS10



PSS12

JAMB



PRST

COUNTER-FRAME FOR RECESSED COMPARTMENT

W 800-31 1/2"

A - from 600-23 5/8" to 800-31 1/2" mm

W 1000-39 3/8"

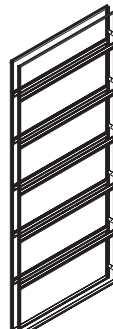
B - from 801-31 1/2" to 1000-39 3/8" mm

W 1200-47 1/4"

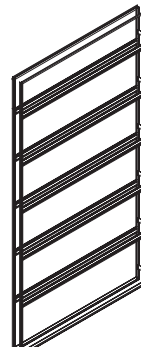
C - from 1001-39 3/8" to 1200-47 1/4" mm



TVI08



TVI10



TVI12

DATASHEET

REGISTERED
DESIGN

IV.2024