

Molteni & C

NOTE — MATTEO NUNZIATI 2018

1—
2



This desk is the result of the desire to create a contemporary product with essential characteristics and very refined aesthetic and technical details that demonstrate the woodworking expertise that Molteni&C. is devoted to maintaining. The top, positioned asymmetrically on the structure, has two trays carved into its wood surface, and the central tray is covered in saddle leather. The wood on the rear is made with a pronounced curved shape that allows it to hold small drawers, which are also covered in saddle leather. The legs are made with a complex three-dimensional woodworking technique in which grooves are carved into three sides of the piece. The resulting product shows a good balance of essential style and elegance, simultaneously modern and linear while also refined and rich in expert cabinet-making details.

DATASHEET

REGISTERED
DESIGN

2026

FINISHES

STRUCTURE AND TOP FINISH
American walnut

BONDED HIDE LEATHER
dark brown

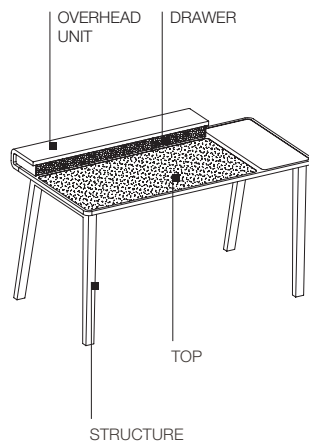
TECHNICAL INFORMATION

STRUCTURE
In solid American Walnut (Juglans Nigra). Felt for floor supports.

TOP
Three-layer panel with interior in american walnut slats and exterior in solid american walnut.
Insert in bonded hide leather.

OVERHEAD UNIT
Curved panel in multi-layer Poplar (Populus alba), covered with sliced veneer in american walnut.

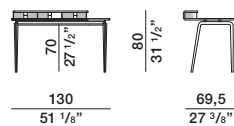
DRAWER
In solid american walnut wood with parts in bonded hide leather.



DIMENSIONS

writing desk

NSCR1



DATASHEET

REGISTERED
DESIGN

2026