

# Molteni & C

## IRVING — VINCENT VAN DUYSSEN 2019

1—  
3



A precise, striking design for Irving, a small system for the living and dining area, composed of tall and low storage units. The shaped metal foot, which distinguishes some of VVD's successful designs, is used here as a visible structural element to define the architecture of the storage units. The thick marble or wood top completes this small domestic architecture.

**DATASHEET**

REGISTERED  
DESIGN

IX.2021

**moltenigroup.com**

Dimensions in centimeters and inches. The right to discontinue and make changes is reserved. This information is based on the latest product information available at the time of printing

## FINISHES

FEET  
pewter colour paint

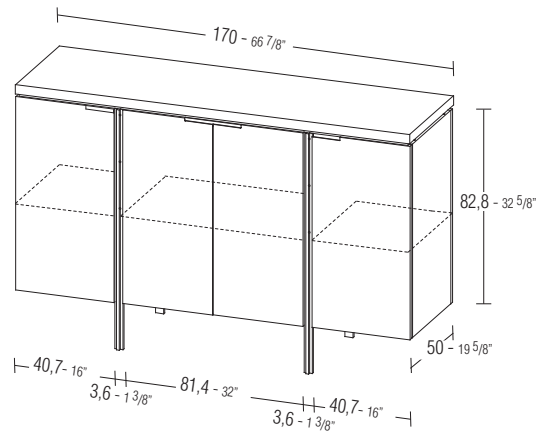
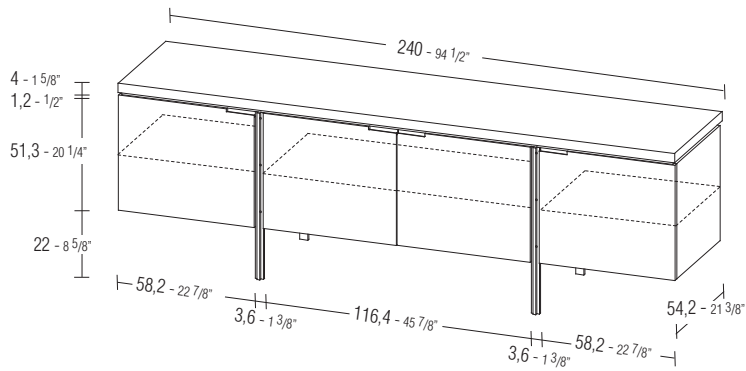
NOTES  
No reductions of any kind are possible.

TOP AND CABINET (STRUCTURE AND DOORS)  
eucalyptus  
walnut

MARBLE TOP  
orient grey (advisable for pairings with eucalyptus)  
calacatta gold (advisable for pairings with walnut)

## Molteni & C

2—  
3



## DATASHEET

REGISTERED  
DESIGN

IX.2021

## TECHNICAL INFORMATION

### CABINET STRUCTURE

Chipboard panel covered with wood veneer in eucalyptus (*Eucalyptus Globulus*) or walnut (*Juglans nigra*).

### DOORS

Chipboard panel with solid linden (*Tilia Platyphyllos*) for handle, covered with wood veneer in eucalyptus (*Eucalyptus Globulus*) or walnut (*Juglans Nigra*).

### STRUCTURAL SIDE

Chipboard panel covered with melamine facing with legs in painted extruded aluminium.

### MARBLE TOP

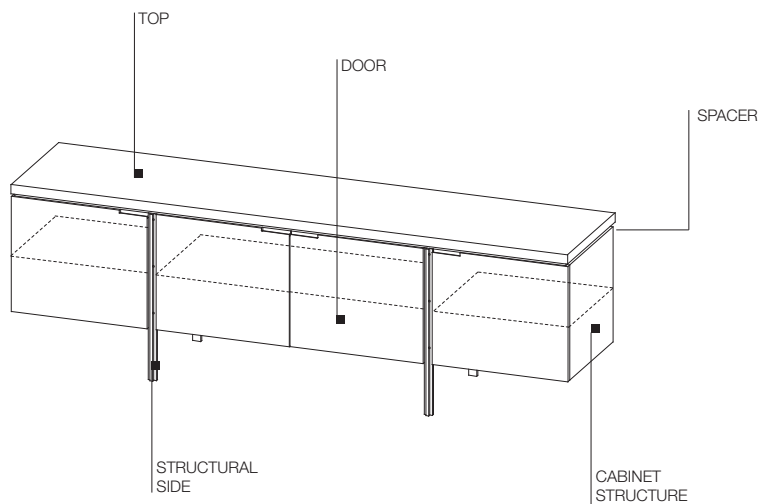
Pieced marble in the specific finishes for the product with internal melamine-faced chipboard support panel.

### SPACER

Chipboard panel covered in melamine facing and edge in eucalyptus wood (*Eucalyptus Globulus*) veneer or walnut (*Juglans Nigra*).

Molteni & C

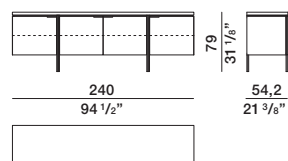
3—  
3



## DIMENSIONS

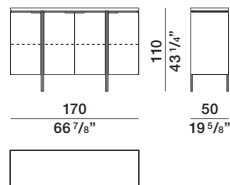
### low cupboard

MI08/24C



### tall cupboard

MI11/17C



## DATASHEET

REGISTERED  
DESIGN

IX.2021