

# Molteni & C

## 4040 — DANTE BONUCCELLI 2015

1—  
2



4040 is a generously proportioned bedside unit and an ideal companion for the wide range of beds offered by Molteni&C. Framework and drawers are made of essence and rest on a pewter-coloured metal base. The top can be in essence or marble. A wooden bedside unit with two drawers with a pressure opening. It is available in two variants in all wood or wood with marble top.

**DATASHEET**

REGISTERED  
DESIGN

2025

**moltenigroup.com**

Dimensions in centimeters and inches. The right to discontinue and make changes is reserved. This information is based on the latest product information available at the time of printing.

## FINISHES

BASE FINISH  
pewter colour

## MARBLE FINISHES

emperador dark - black marquina - white Carrara - orient grey - silver wave - green alpine - red lepanto

## WOODEN FINISHES

eucalyptus - sunrise oak - graphite oak - coffee oak

# Molteni & C

2—  
2

## TECHNICAL INFORMATION

### CURVED STRUCTURE AND DRAWER FRONT

Curved, molded laminated poplar (*Populus alba*) panel, clad with sliced Eucalyptus (*Eucalyptus globulus*) or Oak (*Quercus*) wood.

### SIDES AND BOTTOM - DRAWER INTERIOR

Laminated poplar panel clad with sliced Eucalyptus or Oak wood.

### BASE

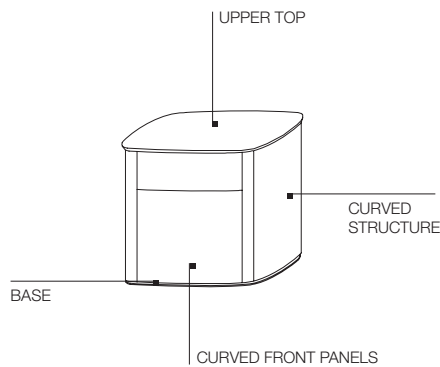
In painted metal.

### UPPER WOOD TOP

Medium density fibre panel clad with sliced Eucalyptus or Oak wood.

### UPPER MARBLE TOP

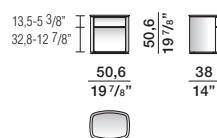
Marble in Range finishes with anti-stain, water-repellent treatments.



## DIMENSIONS

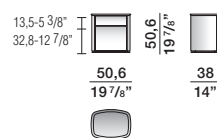
**night table  
all in wood**

**QCP1**



**wooden night table  
with top in marble**

**QCP1M**



## DATASHEET

REGISTERED  
DESIGN

2025