

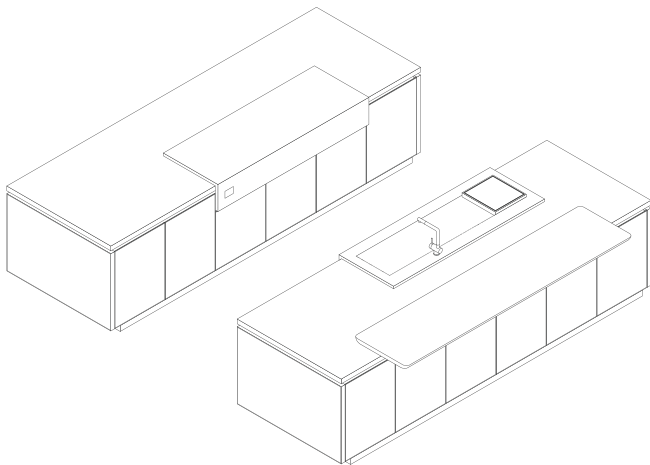
# Molteni & C

## HI-LINE 6 FRAME DOOR

R&D, 2018



1-  
7



The Hi-Line 6 Frame Door, developed by the Dada Engineered R&D division, is a compact and linear project that defies traditional kitchen standards, providing versatility in terms of composition possibilities. Unlike the Hi-Line, it features a technical cabinet door with a perimeter profile available in three metallic finishes, giving it a more modern and contemporary appearance. The cabinet doors can also be crafted from coloured glass in a wide range of tones. The frame of the door is made of iris, bronze or pewter aluminium. The upper part of the door is shaped to ensure an ergonomic grip. The side "frame" panel runs seamlessly with the doors.



### FINISHES

Island  
eucalyptus rays doors with aluminium  
border pewter finish, pewter finger  
recessed and skirting, vulcano ceramic  
top, nebula steel multitank sink, black  
stained oak slated HL6 Frame Door snack  
table, top mounted



### PLUSES

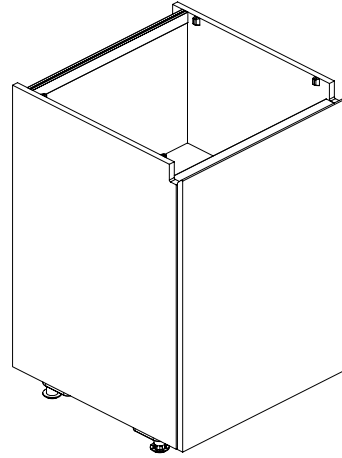
- Design by R&D Dada Engineered
- All Hi-Line 6 unique features
- Frame Door with dedicated finishes
- Shaped upper door profile to improved grip

# Molteni & C

## Finger recess opening kitchen

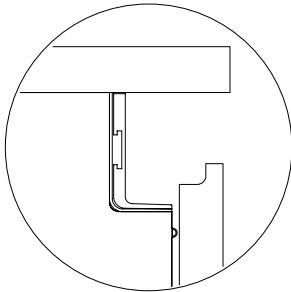


- H. unit structure = 828 mm
- H. door = 797 mm
- H. kitchen with 60 mm skirting = 888 mm
- H. kitchen with 100 mm skirting = 928 mm
- TH. door = 19 mm
- D. Base = 331-595-745mm

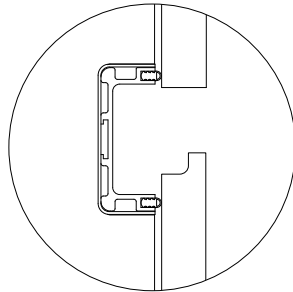


Horizontal finger recesses are used to open doors, drawers and pan drawers without handles. The finger recess can be selected as an opening method also for lower drawers and pan drawers, or a mechanical or electric push-pull opening can be selected as an alternative. Available finishes are Iris, Pewter, Bronze or matt lacquer in range colours.

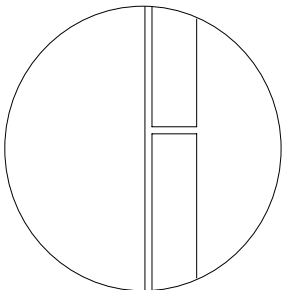
**A**  
First front opening on top  
with finger recess



**B**  
Option with intermediate  
finger recess



**C**  
Option with manual or electric  
push-pull



- Iris
- Pewter
- Bronze
- Matt lacquer in range colours



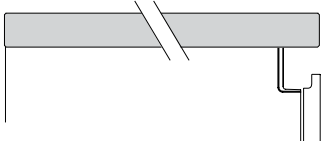
2-  
7



# Molteni & C

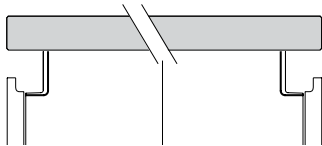
## Worktop

Door th 19 mm



Wall composition

structure	worktop
331	356
595	620
745	770



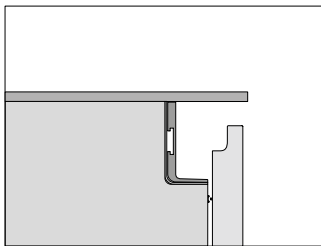
Island composition

structure	worktop
595	645
745	745
331 + 595	976
331 + 745	1126
595 + 595	1240

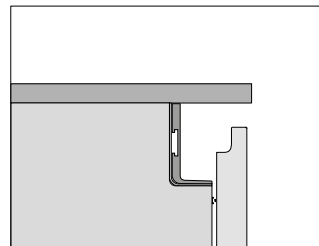


3-  
7

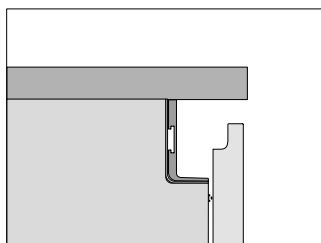
Finishes categories



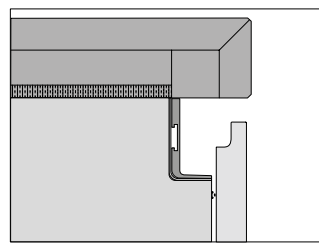
th 6 mm  
**FINISHES**  
Stainless steel



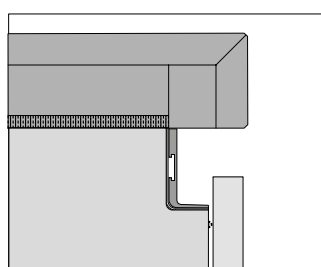
th 12 mm  
**FINISHES**  
Ceramic  
Stainless steel  
Glass



th 20 mm  
**FINISHES**  
Laminate  
Fenix®  
Stones  
Stainless steel  
Nebula steel  
Silestone  
Dekton  
Materia



th 50 mm  
**FINISHES**  
Laminate  
Fenix®  
Stones  
Silestone  
Dekton  
Materia  
Stainless steel

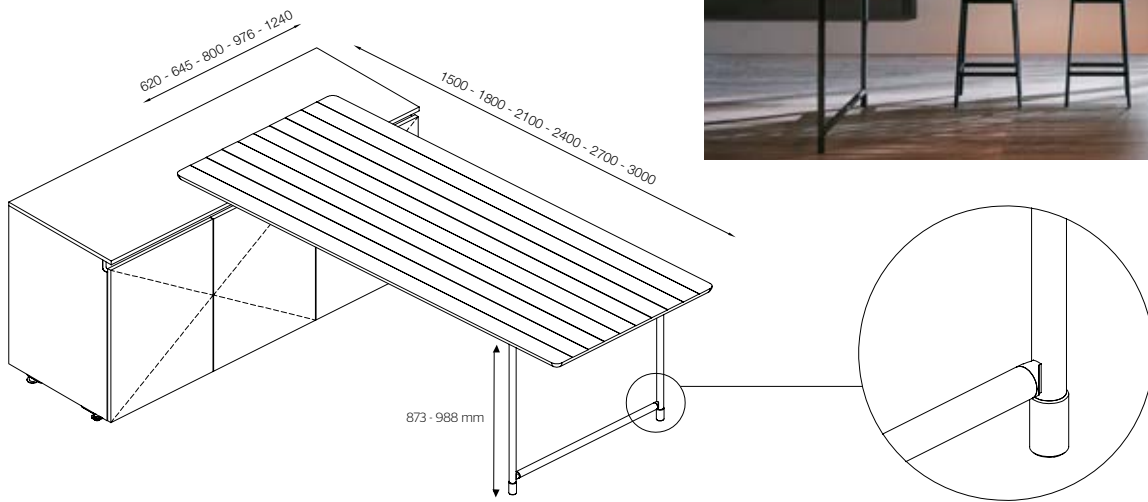


th 60 mm  
**FINISHES**  
Laminate  
Fenix®  
Stones  
Silestone  
Dekton  
Materia  
Ceramic  
Nebula steel

# Molteni & C

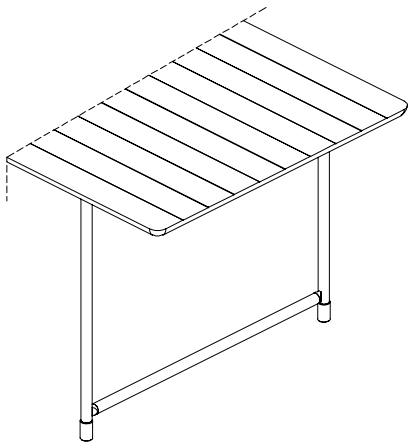
## Snack — th 40 mm

Made of solid natural or black coloured oak, the Snack Hi-Line6 Frame Door top is designed to fit in with all kitchens in the Dada collection. It can be combined with the tubular support structure for projecting table compositions, or built into the worktop for island-peninsula compositions.



## Frame

Made of solid natural or black coloured oak, the Snack Hi-Line Frame Door top is designed to fit in with all kitchens in the Dada collection. It can be combined with the tubular support structure for projecting table compositions, or built into the worktop for island-peninsula compositions.



### WORKTOP FINISHES

Solid natural oak  
Black coloured oak

### STRUCTURE FINISHES

Iris  
Pewter  
Bronze

# Molteni & C

## Compositions



### FINISHES

#### ISLAND

Eucalyptus rays doors with aluminium border pewter finish, pewter finger recessed and skirting, vulcano ceramic top, undertop induction cooking area, nebula steel multitank sink, black stained oak slated HL6 Frame Door snack table, top mounted

#### ATELIER COLUMNS

Slate structure  
Pewter metal lacquered external doors  
Pewter handles mod. Tivoli & more  
Pewter skirting h.60

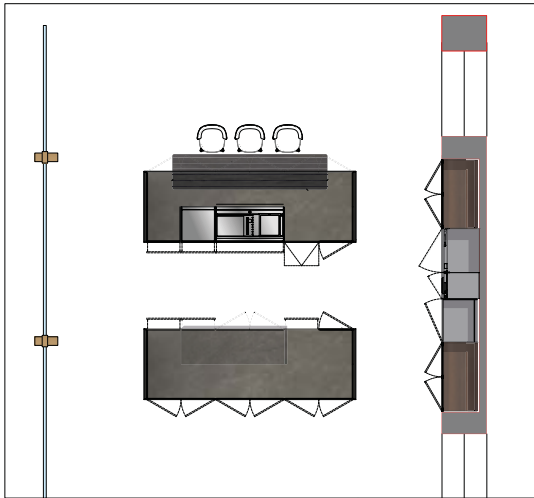
#### COLUMNS

Lunar doors

#### VVD HOOD

Pewter support  
frame and hood carter, eucalyptus  
shelves with integrated  
led light

PLAN VIEW



FRONT VIEW



# Molteni & C

## Compositions



### FINISHES

#### ISLAND

Eucalyptus base unit doors with pewter aluminum frame  
 Lab Fusion stainless steel worktop with welded sink and hobs,  
 Eucalyptus side panels with pewter aluminum Frame  
 Pewter finger recess and skirting  
 VVD hood with pewter support frame and hood carter, eucalyptus shelves with integrated led light

#### COLUMNS

Pewter special metal lacquered doors  
 Pewter vertical Outline handles

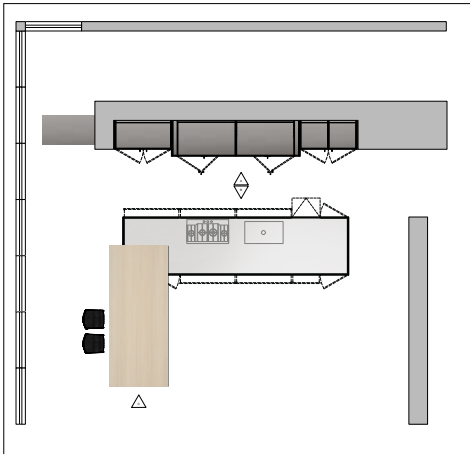
#### TECHNICAL COLUMNS 2.0

Eucalyptus doors  
 Eucalyptus side panels  
 Pewter vertical Outline handles  
 Eucalyptus internal structure and drawers, integrated led light shelves

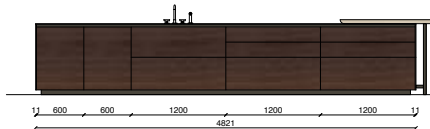
#### VVD HOOD

pewter support frame and hood carter, eucalyptus shelves with integrated led light

PLAN VIEW



FRONT VIEW



# Molteni & C

## Door finishes

### LX FENIX® NTM

KOS WHITE BIANCO KOS	MALÉ WHITE BIANCO MALÉ	LUXOR BEIGE BEIGE LUXOR
EFESO GREY GRIGIO EFESO	INGO BLACK NERO INGO	ARIZONA BEIGE BEIGE ARIZONA
OTTAWA CASTORO CASTORO OTTAWA	ANTRIM GREY GRIGIO ANTRIM	LONDON GREY GRIGIO LONDRA
BROMO GREY GRIGIO BROMO		

### ES WOODS | ESSENZE

SUNRISE OAK ROVERE SUNRISE	WALNUT NOCE	EUCALYTPUS EUCALIPTO
GRAPHITE OAK ROVERE GRAFITE	DARK WALNUT NOCE SCURO	BLACK OAK ROVERE NERO
THERMO OAK ROVERE TERMO	DARK PALM PALMA SCURO	LIGHT ELM OLMO CHIARO
DARK ELM OLMO SCURO		

### ESR RAYS

SUNRISE OAK ROVERE SUNRISE	WALNUT NOCE	EUCALYTPUS EUCALIPTO
GRAPHITE OAK ROVERE GRAFITE	THERMO OAK ROVERE THERMO	DARK WALNUT NOCE SCURO
BLACK OAK ROVERE NERO		

### LSH HYBRID LACQUERED | LACCATI HYBRID

METAL HYBRID BRONZE METALLIZZATO BRONZO HYBRID	METAL HYBRID SLATE METALLIZZATO ARDESIA HYBRID	LUNAR
--	--	-------

### LOS SPECIAL METALLIZED LACQUERED | LACCATI SPECIALI METALLIZZATI

GOLD ORO	IRIS	PEWTER PELTRO
BRONZE BRONZO		

### LO, LL, VVA, VAA LACQUERED, GLASS | LACCATI, VETRI

WHITE BIANCO	CHALK WHITE BIANCO CALCE	PEARL PERLA
SILICA SILICE	SAND SABBIA	DUNE DUNA
LIGHT GREY GRIGIO CHIARO	DOVE GREY TORTORA	PLATINUM PLATINO
CLAY ARGILLA	DOLOMITE	LEAD PIOMBO
MOKA	LIGHT BLUE GREY CARTA DA ZUCCHERO	MUSTARD SENAPE
ANTHRACITE ANTRACITE	BLACK NERO	COPPER RAME
LONDON SKY	STARDUST	MOONLIGHT
SPICE	PINE GREEN	ALMOND WHITE

### CERAMIC | CERAMICA

SILK BLANCO NATURAL	SILK CAMEL NATURAL	SILK GRIS NATURAL
SILK NEGRO NATURAL	VULCANO	MATTERIA TAUPE ABUJARDADO
ISEO GRIS ABUJARDADO	MATTERIA GRIS ABUJARDADO	MATTERIA ANTRACITA ABUJARDADO
JASPER MOKA ABUJARDADO	PACIFIC BLANCO PLUS ABUJARDADO	PACIFIC GRIS ABUJARDADO
ANANDA BLANCO DT	METEORA GRIS ABUJARDADO	UMBRA MARRON ABUJARDADO

### LOR SPECIAL LACQUERED | LACCATO SPECIALE



### VASP ETCHED MIRRORS | VETRI ACIDATI

