

HERITAGE COLLECTION

D.150.5 — GIO PONTI 2022

1—
2



In collaboration with the Gio Ponti Archives and the heirs of this renowned architect from Milan, Molteni&C has reconstructed one of the rare pieces of furniture Gio Ponti designed for outdoor use: the D.150.5 chaise longue. A synthesis of values that resolves itself into an aesthetic, as Ponti teaches. The contours of our chaise longue are marked by two distinctive features. The first is the continuous line of the side, which unites the different parts (backrest, seat, armrest, footrest) in a single stroke, marking the elongated profile of the armchair in accordance with Ponti's principle, that the specific function should be immediately perceptible at a glance. The second detail is the corner radius between the seat and the backrest, which is identical to what Ponti stated precisely in the construction notes of the '53 Distex, now issued by Molteni as D.153.1. The use of solid teak highlights the production merits of high-quality carpentry, an expression of quality woodworking. The use of solid teak highlights the production merits of high-quality carpentry, an expression of quality woodworking. The cushions consist of a polyurethane core upholstered with a recyclable polyester fabric.



Removable cover



Product suitable for collective uses (Contract)



The product may be used outdoors but requires particular care in the event of rain (see price list maintenance and waterproof cover)

DATASHEET

REGISTERED
DESIGN

2026

FINISHES

STRUCTURE FINISHES

teak

TECHNICAL INFORMATION

COVER

fabric in limited categories

STRUCTURE

teak structure natural finish, feet in plastic material

CUSHION

insert in shaped polyurethane, cover in waterproof polyester fibre

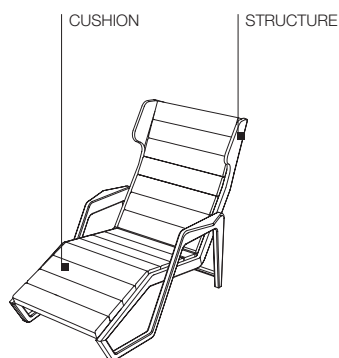
WATERPROOF COVER

100% polyester

Molteni & C | OUTDOOR

2—

2



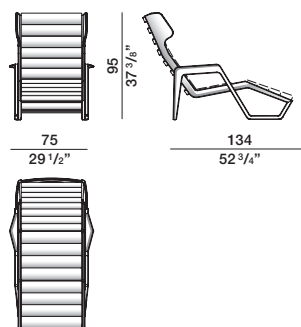
DIMENSIONS

Notes

► No reductions of any kind or changes to the finish are possible

armchair

D.150.5



waterproof cover XD.150.5

DATASHEET

REGISTERED
DESIGN

2026