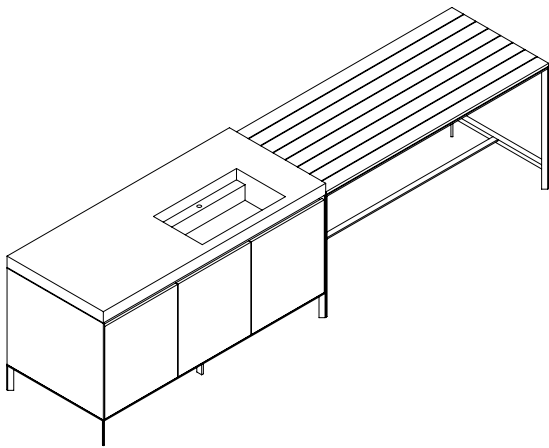


## HELIOS

VINCENT VAN DUYSSEN, 2022



1-  
7



The Helios Outdoor kitchen encapsulates Italian craftsmanship combined with innovative technology, making it suitable for outdoor use. Its clean, rigorous lines and monolithic yet discreet impact allow it to be combined with both the Landmark and Time-out collections, in which – thanks to the wide choice of finishes – it echoes a selection of materials, enriching them. Textures with a material feel reminiscent of natural stone, ceramic, teak wood or steel finishes, for a wide array of choices that allow for extensive customisation, making it suitable for different styles and environments. The colour palette draws inspiration not only from the world of natural tones, but also from a more classic range of whites and greys. The kitchen is designed for outdoor use, it is advisable to place it in a covered place protected from atmospheric agents.



### FINISHES

#### Island

stainless steel frame structure, vulcano doors, pewter finger recesses, ferrovia steel side and back panels, vulcano top th. 80mm with stainless steel sink and cooking area

#### Snack table

slats in solid teak top, scotch brite stainless steel structure



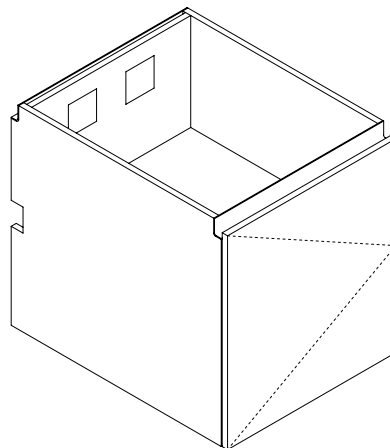
### PLUSES

- Design Vincent Van Duysen
- Adatta all'utilizzo in ambiente esterno
- Ampia possibilità di personalizzazione
- Adatta a stili e ambienti differenti
- Ampio range di finiture, tra cui teak, ceramiche e pietre naturali

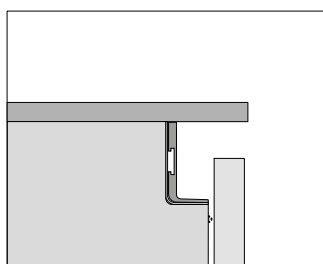
## Finger recess opening kitchen



H. unit + structure = 868 mm  
H. door = 654 mm



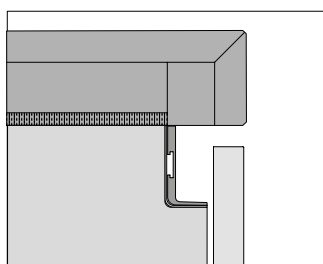
## Top



th. 10 mm



**FINISHES**  
Stainless steel  
scotch brite



th. 80 mm



**FINISHES**  
Ceramic



2-  
7

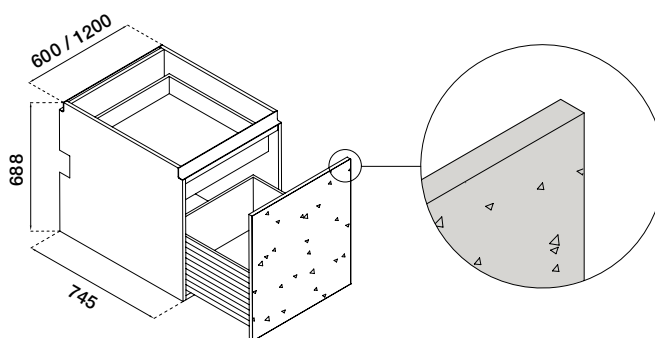
## Doors

The back is equipped with a horizontal finger recess and cover panel. Case finish is stainless steel. Vionaro drawer runners.



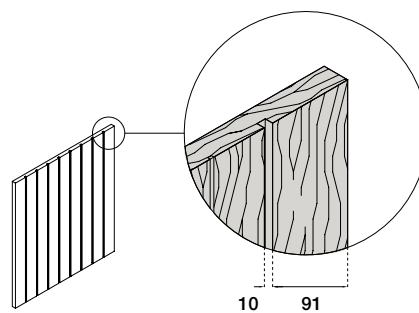
### Ceramic door

door aluminium edge in iris or pewter, finish internal face in black finish.



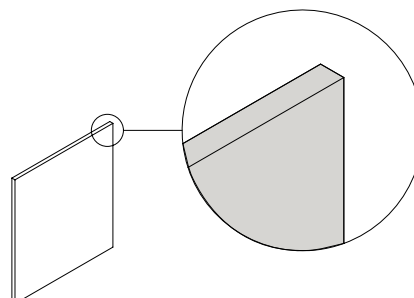
### Slatted door in solid teak

internal face in the same finish (without slats)



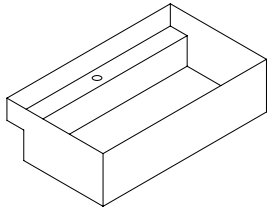
### Door in stainless steel ferrovia / nebula

internal face in slate finish



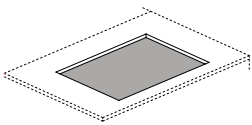
## Sink

1. Integrated with the ceramic worktop
2. To fit under the worktop (only ceramic)
3. To fit flush with the worktop (only ceramic)
4. Welded to the stainless steel worktop

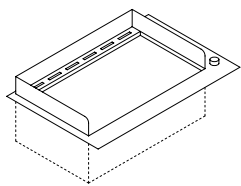


## Hob and cooking surface

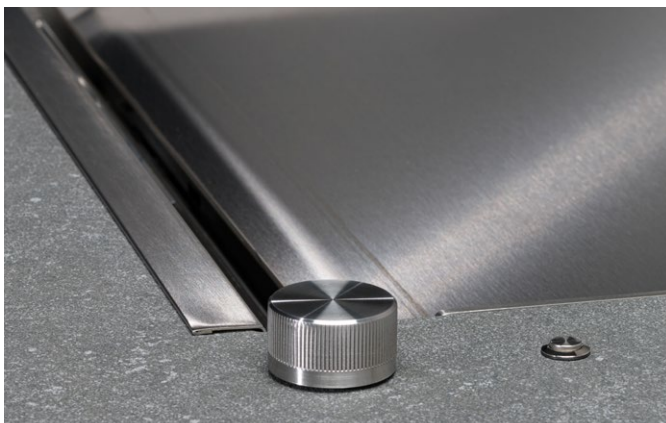
1. Fitting hob
2. Above top hob
3. Flush with top hob
4. Cooking surface and splashback carter



Hole for hob



Cooking surface



## Snack table

Slats in solid teak worktop finish snack table.  
Scotch brite stainless steel graphite structural finish.  
Available lengths: 1200 and 1800 mm



**WORKTOP FINISH**  
Slats in solid teak

**STRUCTURE FINISH**  
Scotch brite stainless steel  
Graphite



## Waterproof cover

The protective lining is made of rubberised **PVC coating on a 100% polyamide** backing, made with specific additives to improve its resistance to sunlight and mould. Recommended for use in rain or very wet conditions.

The lining is made with a heat-sealing process that guarantees **total impermeability**. Despite the use of materials carefully chosen for their properties and performance suitable for outdoor environments, note that the action of atmospheric agents can significantly alter the original state and colour of the covers. For maintenance, avoid the use of aggressive detergents, even common ones.



## Finishes

### WOOD (Facade and snack table)



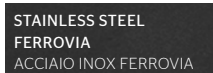
### METALS



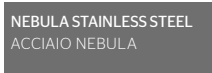
Supportive frame, additional end panels, back panel, internal case finish



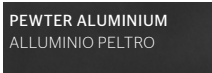
Supportive frame



Facade, additional end panels, back panel



Facade, additional end panels, back panel



Horizontal finger recesses, door edges



Horizontal finger recesses, door edges

### CERAMIC WORKTOPS AND FACADE

