

Molteni & C

MHC.1 Chest of drawers — WERNER BLASER 1955 / 2016

1—
2



MHC.1 is a new edition of the prototype of the first modern piece of furniture made by Molteni&C, the chest of drawers designed by Werner Blaser. Though it was never produced industrially, in 1955 it won first prize at the Cantù “Prima mostra selettiva - Concorso internazionale del mobile”, a competition designed to re-qualify the image of Italian furniture making. The jury was made up of Gio Ponti, Alvar Alto, Romano Barocchi, Carlo de Carli and Finn Juhl. The unusual joinery features a simple three-fork joint. After an initial limited reissue of 100 numbered pieces, it is now available in two new unnumbered versions in the new black stained and honey stained ash finishes.

Prima mostra selettiva - Concorso internazionale del mobile 1955

DATASHEET

REGISTERED
DESIGN

2026

FINISHES

honey stained ash

ash wood stained black

NOTES

Drawers slide on wooden runners.

TECHNICAL INFORMATION

STRUCTURE PANELS AND FRONT

Medium-density fibreboard panel covered with ash veneer (*Fraxinus*) with applied solid wood perimeter borders.

SOLID WOOD BORDERS AND HANDLES

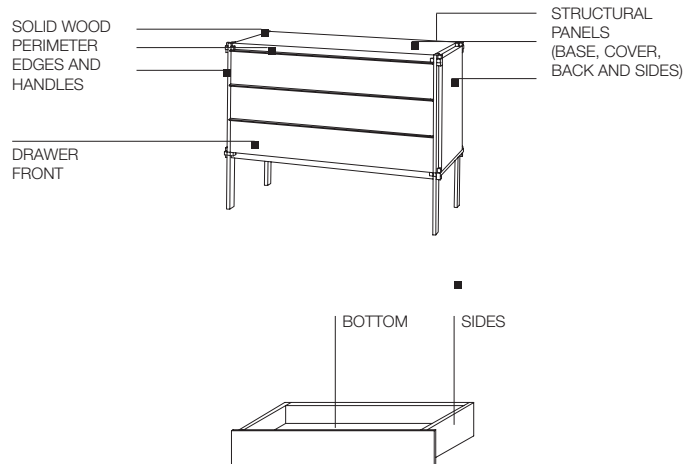
Solid ash wood.

DRAWER INTERIOR-SIDES

Solid ash wood.

DRAWER INTERIOR-BOTTOM

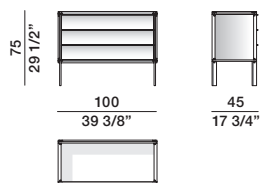
MDF panel with wood veneer in ash.



DIMENSIONS

chest of drawers

MHC.1



DATASHEET

REGISTERED
DESIGN

2026