

# Molteni & C

## VETRA — STUDIO KLASS 2026

1—  
3



Vetra evokes a marginal space linked to water, emptiness, history, and reflection. The glass top is a deep, reflective surface, while the aluminium frame defines a precise and lightweight perimeter, creating a structure that contains without weighing it down. Vetra is characterized by a distinctive beveled silhouette on all sides enriched by finishes from Gliss Master wardrobe: iris and pewter colour. In the upper section, the edge becomes an aluminum frame designed to house the glass and the Eco Skin top. In the lower section, an integrated LED illuminates the tray below. On the sides, one panel becomes a structural support, while the other opens into an elegant set of drawers. The front, on both sides, is available in matte lacquer, oak veneer, or melamine. Autonomous, essential, and designed for the privacy of the bedroom, Vetra is an island-object that defines the space and enriched the wardrobe area with refined storage solutions.

### DATASHEET

REGISTERED  
DESIGN

2026

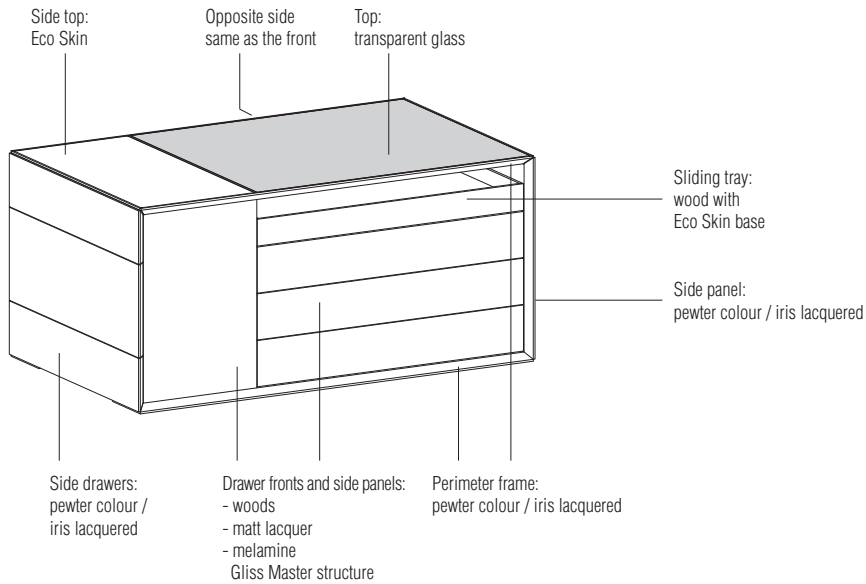
**FINISHES**

**WOOD FINISHES**

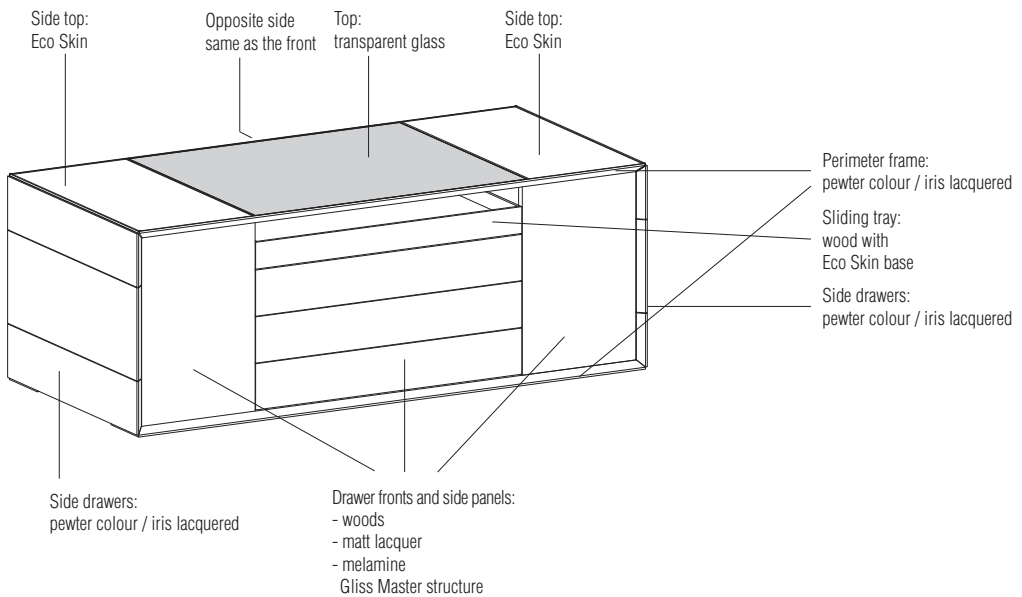
amber oak  
coffee oak  
sunrise oak

**TECHNICAL INFORMATION**

**Island with single side drawer unit**



**Island with double side drawer unit**



**DATASHEET**

REGISTERED  
DESIGN

2026

Molteni & C

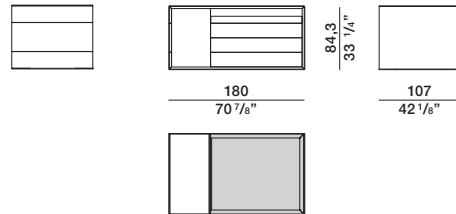
2—  
3

## DIMENSIONS

### Notes

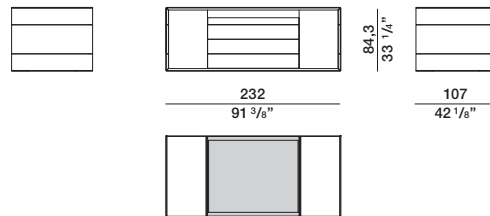
- Front and back are equipped with drawers, and the top tray slides on both sides.
- The finishes of the front pieces must be the same on both sides.
- The island can be completed with a LED lighting system for the glass top.

### Island with single side drawer unit



IV1808

### Island with double side drawer unit



IV2308

radio control kit  
(optional)  
with brightness  
setting



EKRR1