

Molteni & C

TIBEAU — GAMFRATESI 2025

1—
3



The Tibeau bed celebrates solid wood as the main material, with a robust and bold design that connects to the historical legacy and strong craftsmanship of Molteni&C. A distinctive detail is the double headboard, shaped into a unique “T” form, giving the design personality and inspiring its name. The structural lines and design of the legs evoke historical and tribal elements, establishing a deep connection with the past. The sturdiness of the solid wood is balanced by the softness of the cushions, upholstered in premium, removable fabrics, offering superior comfort and a refined feel. The bed is completed with a bench at the foot, where the same structural and padded details create a visual harmony.

In case of customer slatted base and/or mattress, check the correspondence of the measurements with the standard ones in the price list.



This symbol shows that the product has removable upholstery. Only qualified personnel can remove the upholstery of some of our products. If this information is pertinent, it will be included in the warnings section.



This symbol shows that the product is available on request in a fire resistant version that complies with the standards BS 5852 and TB 117-2013. The buyer is responsible for checking to make sure that the product is suitable and compliant with the requirements for the designated use and the current applicable laws and standards for the destination and use of the product.

DATASHEET

REGISTERED
DESIGN

2026

moltenigroup.com

Dimensions in centimeters and inches. The right to discontinue and make changes is reserved. This information is based on the latest product information available at the time of printing.

FINISHES

BED / BENCH FINISH

solid wood stained:
coffee oak

BED TECHNICAL INFORMATION

HEADBOARD

In stained solid ash wood (*Fraxinus excelsior*) with supporting structure in painted steel.

BED SURROUND

In stained solid ash wood (*Fraxinus excelsior*) with supporting structure in painted steel and non-slip plastic floor supports.

HEADBOARD CUSHIONS

Aluminium support and sterilized feather cushion. Cover in bonded velveteen.

REMOVABLE OUTER COVERS

(See attached card, specific for each cover).

BENCH TECHNICAL INFORMATION

STRUCTURE

In stained solid ash wood (*Fraxinus excelsior*). Support tips in plastic material.

SEAT

Plywood structure with shaped polyurethane padding and cover in bonded velveteen.

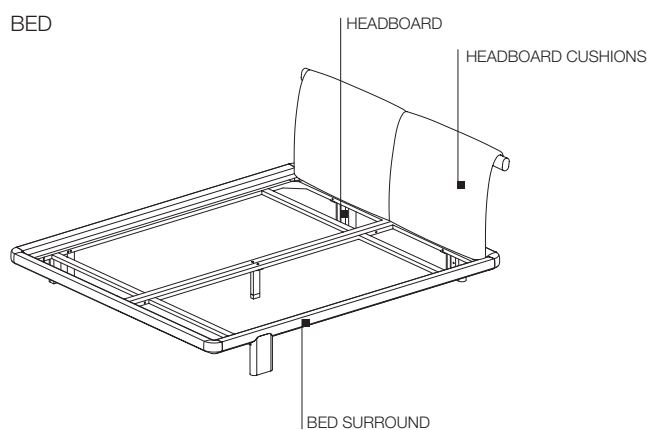
REMOVABLE OUTER COVERS

(See attached card, specific for each cover).

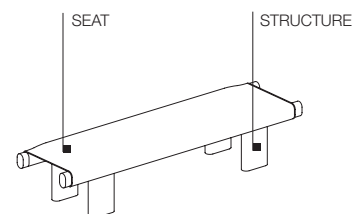


AVAILABLE IN FIRE-RESISTANT
VERSION TB117 AND BS5852

BED



BENCH



DATASHEET

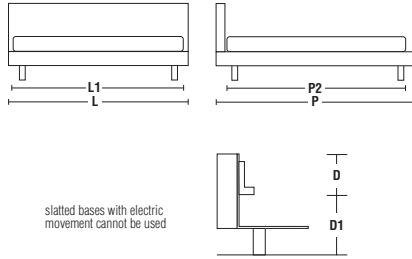
REGISTERED
DESIGN

2026

DIMENSIONS

Notes

- ▶ Depth of 210 cm (82 3/4") (inner measurement) is also available on TLT16 - TLT18 - TLT20.
- ▶ Slatted bases with electric movement cannot be used.

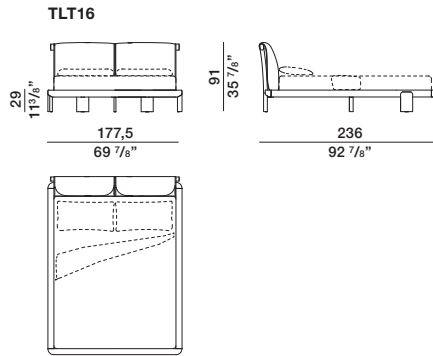


Molteni & C

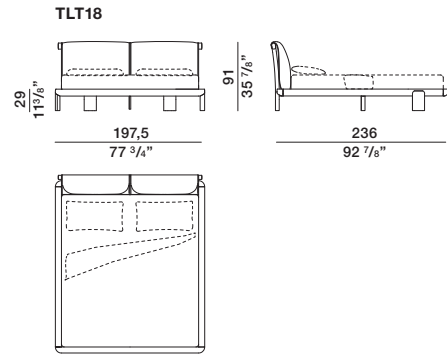
3—
3

	INNER DIMENSIONS		OUTER DIMENSIONS		D / D1 Space for insertion of the slatted base
	L1 Width	P2 Length	L Width	P Length	
TLT16	160 63"	200 78 3/4" standard model *	177,5 69 7/8"	236 92 7/8" standard model *	5 / 22,5 2' / 8 7/8"
TLT18	180 70 7/8"	200 78 3/4" standard model *	197,5 77 3/4"	236 92 7/8" standard model *	
TLT20	200 78 3/4"	200 78 3/4" standard model *	217,5 85 5/8"	236 92 7/8" standard model *	
TLTKS	195 76 3/4"	205 80 3/4"	211 83 1/8"	241 94 7/8"	
		* 210 82 3/4" on request		* 246 96 7/8" on request	

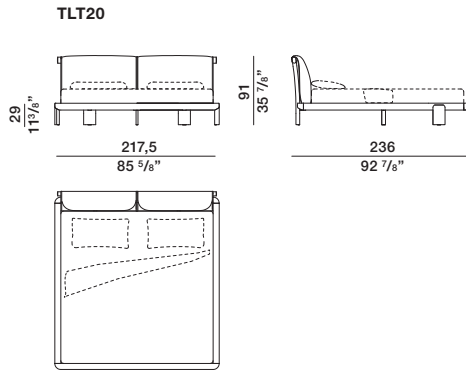
bed taking a single slatted base or 2 individual slatted bases



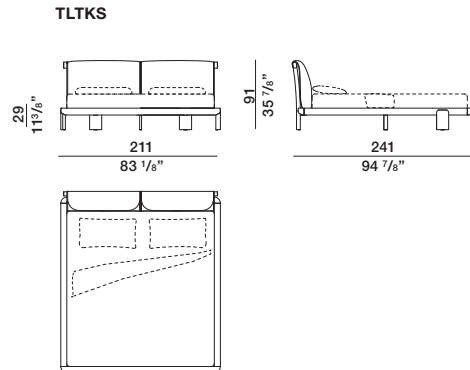
bed taking a single slatted base or 2 individual slatted bases



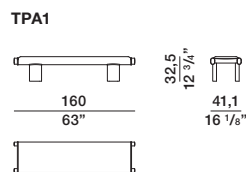
bed taking a single slatted base or 2 individual slatted bases



bed taking a single slatted base or 2 individual slatted bases



bench



DATASHEET

REGISTERED
DESIGN

2026