

Molteni & C

MAYLIS — CHRISTOPHE DELCOURT 2025

1—
3



The Maylis coffee table fully embodies Delcourt's design philosophy, defining movement through shapes and lines with remarkable dynamism. The curved top offers a constantly changing perspective from every point of view. The interaction between the geometries continues with the three glossy aluminum support legs, shaped like half-moons, which create a visual contrast with the tabletop materials, all meticulously chosen for their distinctive characteristics, ranging from marble and tempered glass to glossy lacquer finishes. Completing the Maylis coffee table collection is the wooden version with rounded shapes, characterized by three legs connecting the top and base.

DATASHEET

REGISTERED
DESIGN

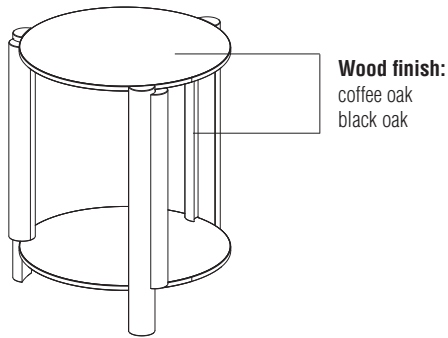
2025

moltenigroup.com

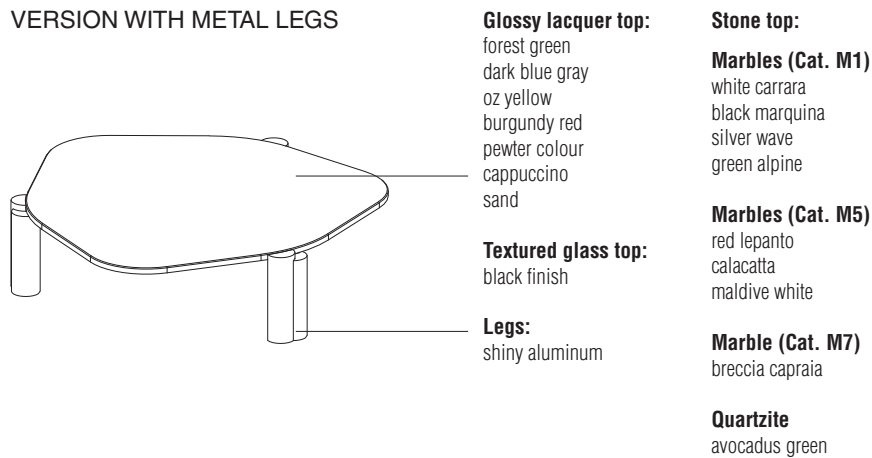
Dimensions in centimeters and inches. The right to discontinue and make changes is reserved. This information is based on the latest product information available at the time of printing.

FINISHES

WOOD VERSION



VERSION WITH METAL LEGS



TECHNICAL INFORMATION

WOOD STRUCTURE

In solid Oak (Quercus) stained.

WOOD TOP

Medium density fibreboard panel covered with Oak (Quercus) wood veneer, supported by a painted steel frame.

BASE

Painted steel frame.

LEGS

Aluminium with non-slip plastic ground support.

STONE TOP

Stone with stain resistant and water-repellent treatment.

GLOSSY TOP

Medium density particle board glossy lacquer painted.

GLASS TOP

Back painted textured glass.

DATASHEET

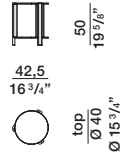
REGISTERED
DESIGN

2025

DIMENSIONS

single-material
small table

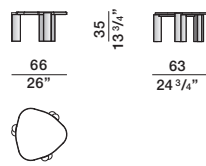
MTV1



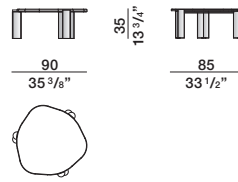
Molteni & C

small tables H 35

MTV2

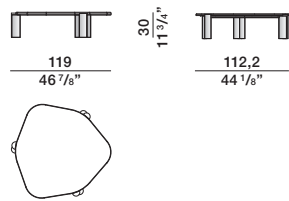


MTV3

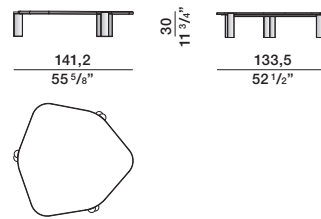


small tables H 30

MTV4



MTV5



3—
3

DATASHEET

REGISTERED
DESIGN

2025

moltenigroup.com

Dimensions in centimeters and inches. The right to discontinue and make changes is reserved. This information is based on the latest product information available at the time of printing.