

Molteni & C

JEANNE — CHRISTOPHE DELCOURT 2026

1—
3



An expression of architectural precision, the Jeanne coffee table features a fulcrum base around which two overlapping tops are set, highlighted by a thin metal sheet that introduces a visual pause, creating rhythm and a delicate play of shadows. Each element simultaneously supports and envelops the other within an interlocking system. The two tops embrace the base, which joins and supports them, making them appear suspended above the lower plane in a refined balance between solidity and lightness. This ingenious construction also takes on the role of a connecting element for the Edmond sofa system, expanding its functional possibilities.

DATASHEET

REGISTERED
DESIGN

2026

FINISHES

GLOSSY LACQUERED LOWER AND UPPER TOP FINISHES

copper
dolomite
platinum
burgundy
anthracite
pine green

FINISHES SOLID WOOD INSERTS coffee oak amber oak

MARBLES FINISHES UPPER TOP

Marbles (Cat. M1)

black marquina with matt finish

Marbles (Cat. M5)

red lepanto with matt finish
calacatta with matt finish
rain forest green with matt finish

Marble (Cat. M7)

breccia capraia with matt finish

Quartzite

avocadus green with matt finish

TECHNICAL INFORMATION

SOLID WOOD INSERTS

Solid ash wood (Fraxinus Excelsior) stained.

STONE TOP

Stone with stain resistant and water-repellent treatment.

GLOSSY TOP

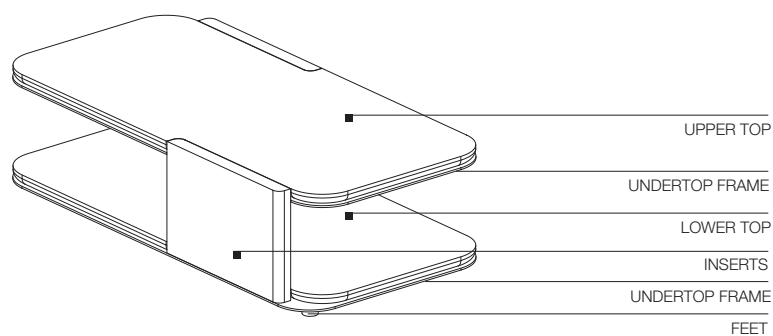
Medium density fibreboard lacquered in glossy colours from the range.

UNDERTOP FRAME

Painted aluminium.

FEET

Painted aluminium with plastic non-slip tips.



DATASHEET

REGISTERED
DESIGN

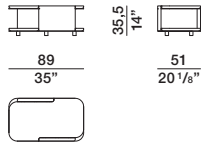
2026

DIMENSIONS

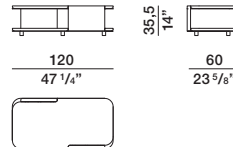
Notes

The lower top can only be made in glossy lacquer.

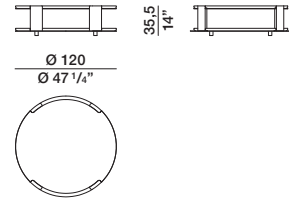
small tables



JTR1



JTR2

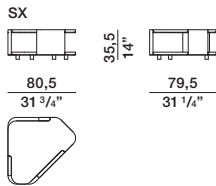


JTT1

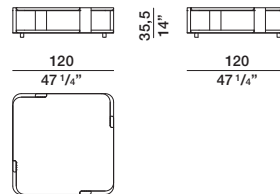
Molteni & C

3—
3

small tables



JTS1 dx-sx



JTQ1

DATASHEET

REGISTERED
DESIGN

2026