

TIMEOUT COLLECTION GOLDEN GATE — VINCENT VAN DUYSSEN 2022

1—
3



The Timeout Collection dining table interprets the archetype of outdoor tables with a slatted top for water drainage. Seating 6 or 8, it stands out for its carefully calibrated proportions and choice of materials that allow it to match both of Molteni&C's new outdoor collections. The structure takes up the motif of the burnished Aluminum band, with its rounded profile and without corners. As in the entire Timeout Collection, the support bases are sled-shaped, created by the continuous movement of the same metal band and here positioned flush with the top as a natural continuation of it. The top is available in two versions: in solid teak slats or in slabs of lava stone in the three colours - anthracite, olive green and desert yellow - with a slightly rough surface that evokes its lithic nature.



The product may be used outdoors but requires particular care in the event of rain (see price list maintenance and waterproof cover)



The product is sent in multiple packaged and/or flat packed

DATASHEET

REGISTERED
DESIGN

2026



Product suitable for collective uses (Contract)

GOLDEN GATE –
VINCENT
VAN DUYSSEN
2022

FINISHES

LEGS FINISH

burnished metal

TOP FINISHES

lava stone anthracite

lava stone olive green

lava stone desert yellow

teak

Molteni&C | OUTDOOR

TECHNICAL INFORMATION

LEGS

painted steel, ferrules in plastic material

FRAME

painted Aluminum

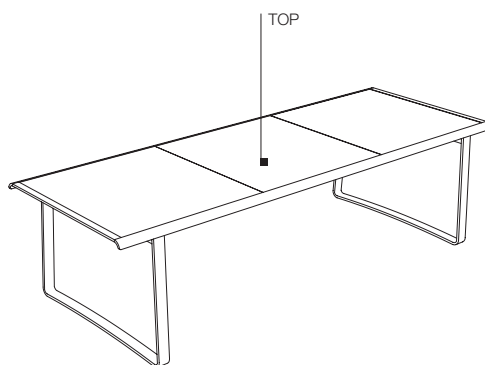
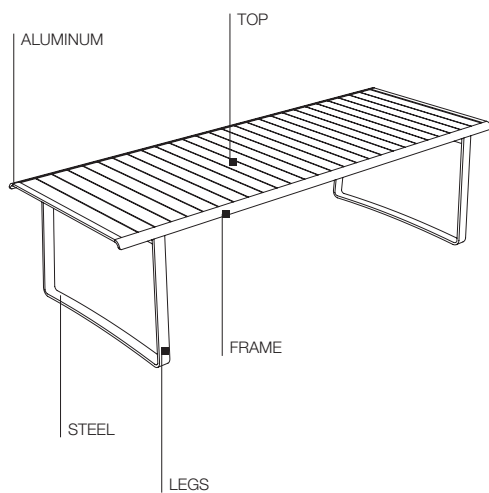
TOP

solid teak in natural finish or enamelled lava rock

WATERPROOF COVER

100% polyester

2—
3



DATASHEET

REGISTERED
DESIGN

2026

DIMENSIONS

Notes

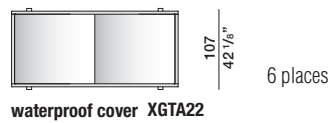
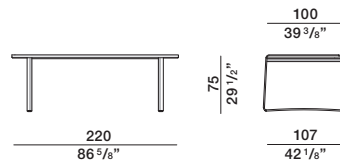
► No reductions of any kind or changes to the finish are possible.

When ordering

Always specify the top finish

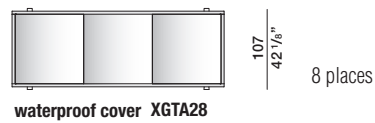
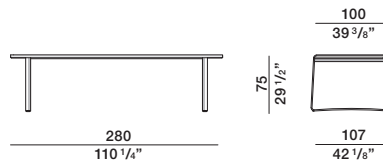
table

GTA22
lava stone top



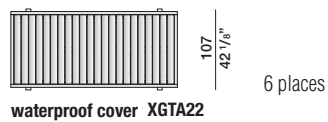
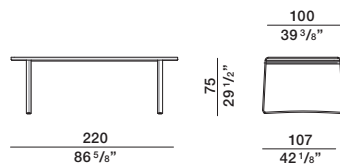
table

GTA28
lava stone top



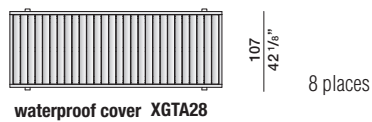
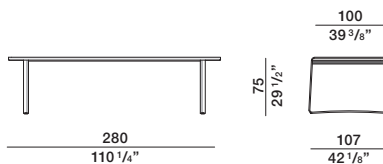
table

GTA22
teak top



table

GTA28
teak top



DATASHEET

REGISTERED
DESIGN

2026