

Molteni & C

MONK — TOBIA SCARPA 1973 / 2025

1—
2



For 2025, Molteni&C proposes a re-edition of the iconic Monk chair, originally designed by Afra and Tobia Scarpa in 1973. Preserving the character of the original, Monk presents a solid wood frame made of two trestles attached to metal tubing creating a single element for the seat and back. The structural parts are joint by screws with the decorative touch of large hubs in burnished steel. The seat structure is made of two hide leather sections shaped for comfort and available in any color from the Molteni&C collection. Monk is also proposed in a lower and wider armchair version, designed to enhance any living space.

DATASHEET

REGISTERED
DESIGN

2025

[moltenigroup.com](https://www.moltenigroup.com)

Dimensions in centimeters and inches. The right to discontinue and make changes is reserved. This information is based on the latest product information available at the time of printing.

FINISHES

BASE FINISHES

coffee oak
black oak
American walnut

COVERS

hide leather in Molteni range colours
(Product with NON removable cover.
Any replacement of the covering must be carried out in-house by the company)

Molteni & C

TECHNICAL INFORMATION

BASE

Solid Ash and American walnut wood.

STRUCTURE

Painted steel frame.

FEET

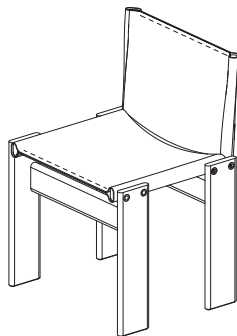
Plastic material.

OUTER COVER

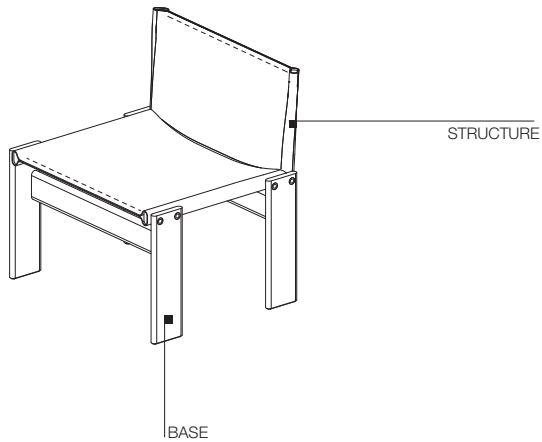
Hide leather in Molteni range colours.

2—
2

CHAIR



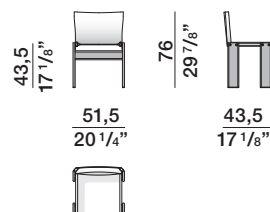
ARMCHAIR



DIMENSIONS

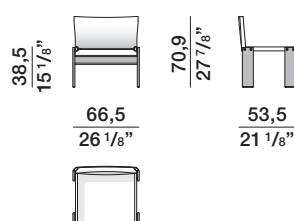
chair

MSD1



armchair

MPL1



DATASHEET

REGISTERED
DESIGN

2025