

Molteni & C

505 UP - SIDEBOARD — NICOLA GALLIZIA 2021

1—
5



505 UP Sideboard is the natural evolution of 505 UP in its process of simplification and interpretation of contemporary living requirements. A sideboard with a thousand nuances, like the many variants and combinations of its front pieces. As versatile and functional as 505 UP System but with dedicated depth and a dual option for the base: floor standing plinth, or metal base for a lighter and more aerial version. 505 UP Sideboard experiences the house in all its facets, from living room to dining room, from bedroom to the entrance, the custom solution for every situation and spatial need.

DATASHEET

REGISTERED
DESIGN

IX.2023

MODULARITY

Measurements

Side panel th 16 mm (5/8")
Central partition th 32 mm (1 1/4")

Internal module widths:
448 - 608 - 928 - 1248 mm
17 5/8" - 23 7/8" - 36 1/2" - 49 1/8"

Floor heights (without top):
436 - 628 - 820 - 1204 mm
17 1/8" - 24 3/4" - 32 1/4" - 47 3/8"

Heights with BASE (without top):
577 - 769 - 961 - 1345 mm
22 3/4" - 30 1/4" - 37 7/8" - 53"

Structure depth 500 mm (19 5/8") :
Depth with front th 22 (7/8") = 526 mm (20 3/4")
Depth with front th 35 = 539 mm (21 1/4")

Notes

Width reductions are possible for the frame and wooden hinged doors with th. 22 (7/8")

Max. composition length with base mm 2880 (113 3/8") (3 modules W 928 - 36 1/2").

Compositions with height changes are not possible.

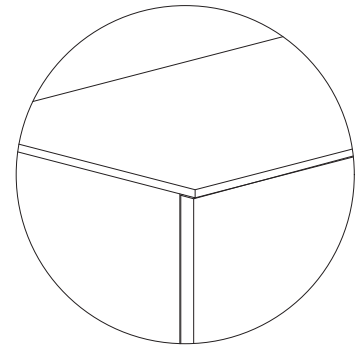
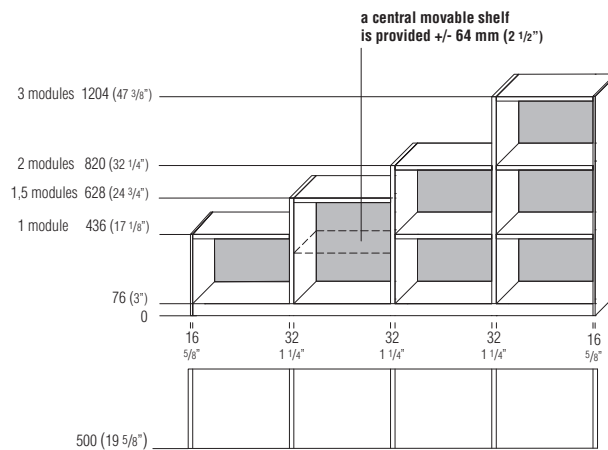
The plinth is supplied in one piece up to max. length 3808 mm (149 7/8").

We do not recommend sideboards with open compartments.

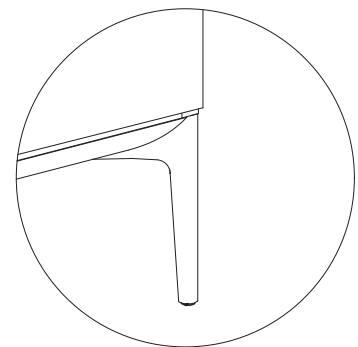
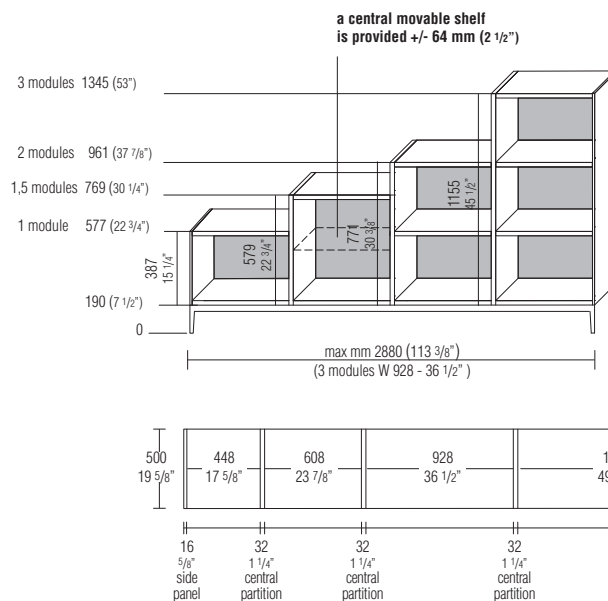
Molteni & C

2—
5

Modular heights and depths for floor elements with plinth H 76



Modular heights and depths for floor elements with metal base H 190 (BASE)



DATASHEET

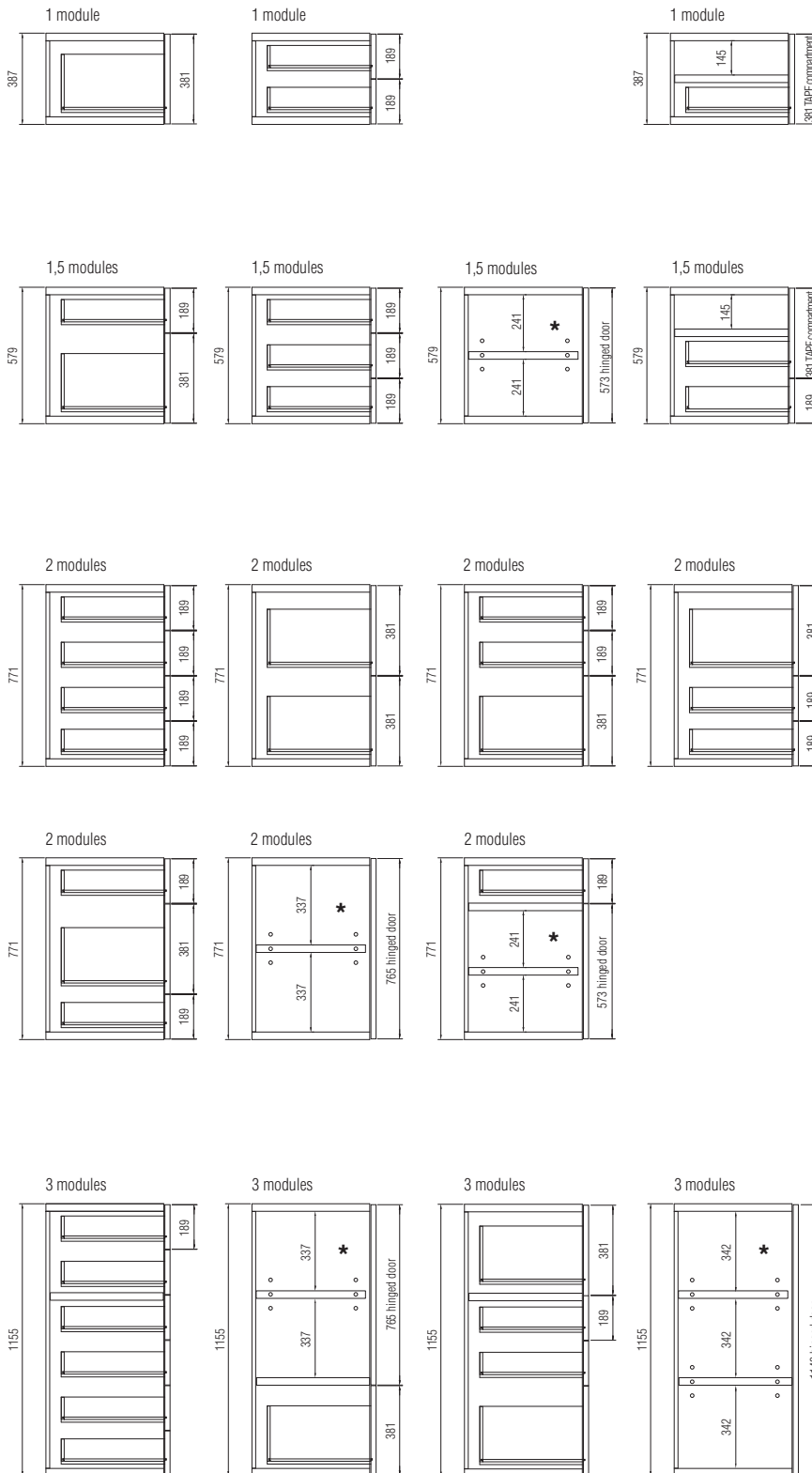
REGISTERED
DESIGN

IX.2023

MODULARITY

Molteni & C

3
5



* movable internal shelf +/- 64 mm as standard

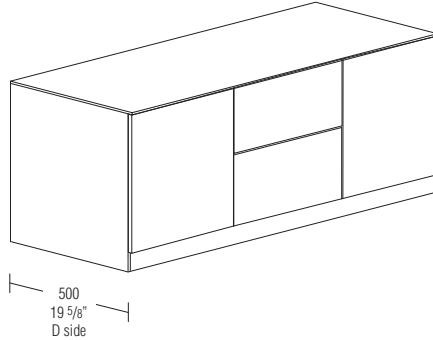
DATASHEET

REGISTERED
DESIGN

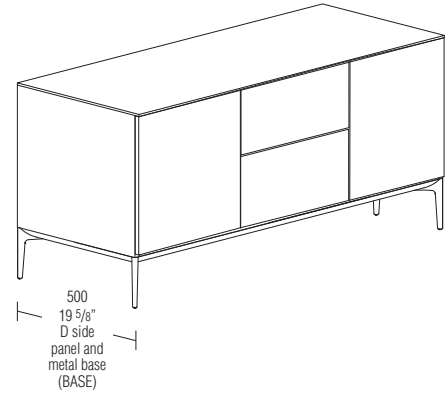
IX.2023

FINISHES

with plinth H 76



with metal base H 190 (BASE)



Molteni & C

4 —
5

finishes	matt lacquer colours	glossy lacquer colours	glaze	woods	special woods	3D matt lacquer colours	pewter colour / copper / iris	transparent glass	stopsol transparent glass	net glass	Eco Skin	coloured glass/coloured etched glass	marble
----------	----------------------	------------------------	-------	-------	---------------	-------------------------	-------------------------------	-------------------	---------------------------	-----------	----------	--------------------------------------	--------

components

32 th. structure and plinth													
back panels													
tops													
door opening th. 35 (drawers)													
doors / external drawers with pressure opening th 22													
door frame glass th. 35	profile												
	glass												
door frame Eco Skin th. 35	profile												
	Eco Skin												
door with profile th. 22	profile												
	panel												
metal base (BASE)													

colours

Matt lacquer

BC chalk white
PE pearl
DN dune
PL platinum
NE black
AT anthracite
SE mustard
SI silica
DO dolomite grey
AL clay
MK moka
CZ light blue grey
SA sand
RU ruby
PX pewter colour
RX copper
TO dove grey
PR petroleum blue
BG burgundy
LS london sky
SU stardust
ML moonlight
SP spice
PG pine green
AW almond white

Glossy lacquer

BC chalk white
PE pearl
DN dune
PL platinum
NE black
AT anthracite
SE mustard
SI silica
DO dolomite grey
AL clay
MK moka
CZ light blue grey
SA sand
RU ruby
PX pewter colour
RX copper
TO dove grey
PR petroleum blue
BG burgundy
LS london sky
SU stardust
ML moonlight
SP spice
PG pine green
AW almond white

Woods

EU eucalyptus
RF graphite oak
RC coffee oak

Special woods

RT thermo oak
RS sunrise oak

Coloured glass

BC chalk white
PE pearl
DN dune
PL platinum
NE black
AT anthracite
SE mustard
SI silica
DO dolomite grey
AL clay
MK moka
CZ light blue grey
SA sand
RU ruby
PX pewter colour
RX copper
TO dove grey
PR petroleum blue
BG burgundy
LS london sky
SU stardust
ML moonlight
SP spice
PG pine green
AW almond white

Coloured etched glass

BC chalk white
PE pearl
DN dune
PL platinum
NE black
AT anthracite
SE mustard
SI silica
DO dolomite grey
AL clay
MK moka
CZ light blue grey
SA sand
RU ruby
PX pewter colour
RX copper
TO dove grey
PR petroleum blue
BG burgundy
LS london sky
SU stardust
ML moonlight
SP spice
PG pine green
AW almond white

Eco Skin

grey
mink
hemp
ivory
dark brown
earth
arctic
taupe

Marble

white Carrara
orient grey
green alpine
black marquina
calacatta
(special price)

DATASHEET

REGISTERED
DESIGN

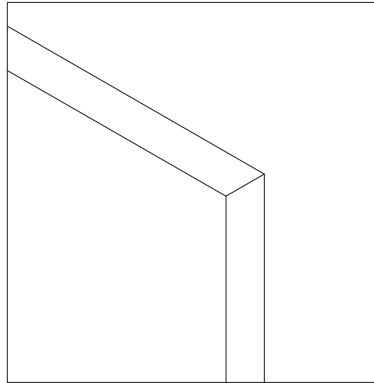
IX.2023

FRONT DETAIL AND TOP

Molteni & C

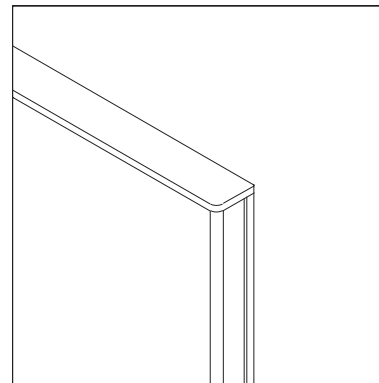
5 —
 5

th 22 mm

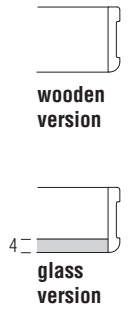


- wooden door
- wooden drawer
- TAPE compartment

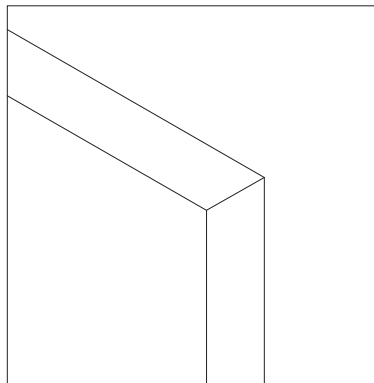
th 22 mm with profile



- wooden / glass door
- wooden / glass drawer
- TAPE compartment

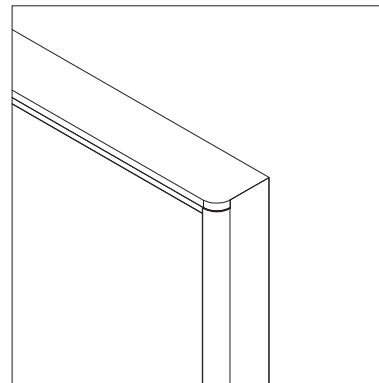


th 35 mm



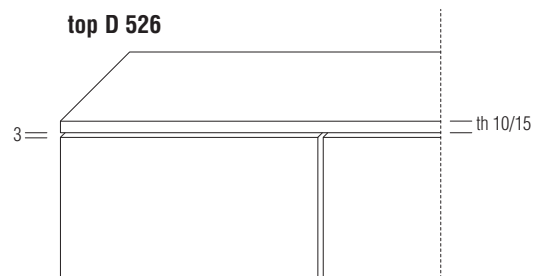
- wooden drawer
- TAPE compartment

th 35 mm frame

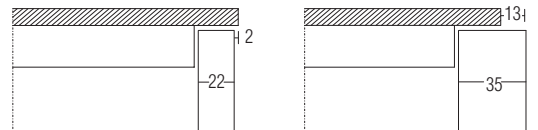


- glass door
- Eco Skin door

top D 526



- 10 mm th. wood
- 10 mm th. coloured glass
- 10 mm th. etched coloured glass
- 15 mm th. marble



DATASHEET

REGISTERED
 DESIGN

IX.2023