

Molteni & C

THEO — YABU PUSHELBERG 2025

1—
3



Essential, instinctive, and enveloping like a hug, Theo is born from the creativity of the inseparable duo Yabu Pushelberg. Characterized by rounded curves and generous dimensions, Theo stands out for its organic and clean shape, fully upholstered to emphasize its softness and comfort. This bed expresses sophisticated tailoring, with stitching details that tell the story of craftsmanship and a meticulous search for materials for an unparalleled tactile experience.

In case of customer slatted base and/or mattress, check the correspondence of the measurements with the standard ones in the price list.

For the versions with lifting base, please consider a mattress weight limit of 45 kg.



This symbol shows that the product has removable upholstery. Only qualified personnel can remove the upholstery of some of our products. If this information is pertinent, it will be included in the warnings section.



This symbol shows that the product is available on request in a fire resistant version that complies with the standards BS 5852 and TB 117-2013.

The buyer is responsible for checking to make sure that the product is suitable and compliant with the requirements for the designated use and the current applicable laws and standards for the destination and use of the product.

DATASHEET

REGISTERED
DESIGN

2026

moltenigroup.com

Dimensions in centimeters and inches. The right to discontinue and make changes is reserved. This information is based on the latest product information available at the time of printing.

FINISHES

GROSGRAIN FINISHES

- anthracite
- dark brown
- olive green
- paper white
- beaver
- saddle leather colour
- iron
- black
- cream
- sand
- mouse grey

TECHNICAL INFORMATION

HEADBOARD

Panels in plywood and Polimex. Infills in high-bearing polyurethane foam with variable density. Cover in bonded velveteen.

BED SURROUND

Frame in medium density fibreboard panels with polyurethane foam padding. Cover in bonded velveteen, cotton and polyester fibre.

FEET

Anodized aluminum with floor slides in non-slip plastic.

MATTRESS-BASE SPACER

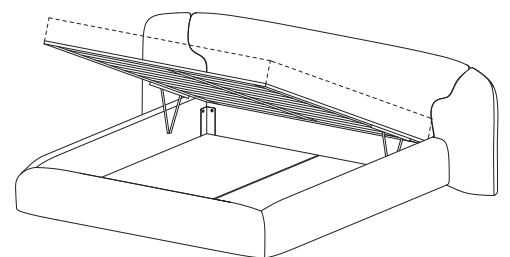
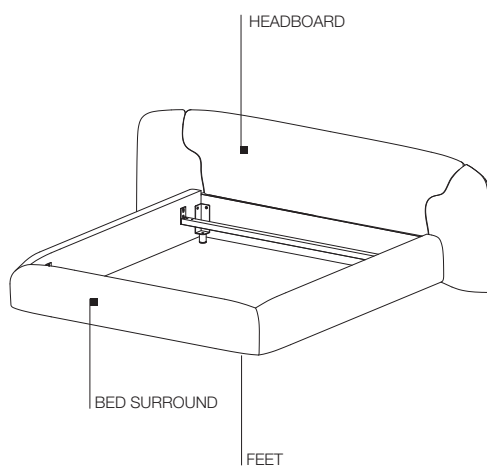
Plastic material.

REMOVABLE OUTER COVERS

(See attached card, specific for each cover).



AVAILABLE IN FIRE-RESISTANT
VERSION TB117 AND BS5852



DATASHEET

REGISTERED
DESIGN

2026

DIMENSIONS

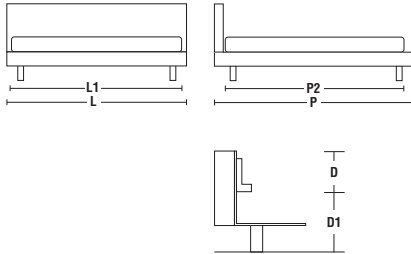
Notes

► Depth of 210 cm (82 3/4") (inner measurement) is also available on TLE16 - TLE18.

► **Electric slatted bases may be used.**

► The Theo upholstery is sewn and made with a profile according to the following rules:
- Fabric upholstery: grosgrain profile in the colours indicated in the finishes paragraph
- Leather upholstery: profile in the same type of leather in the colours in the collection.

► **For the version with storage unit, mattresses must be no more than 20 cm thick**



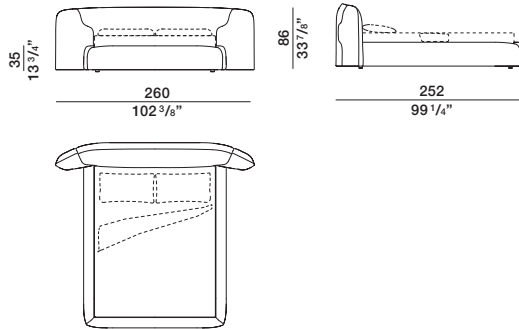
	INNER DIMENSIONS		OUTER DIMENSIONS		D / D1 Space for insertion of the slatted base
	L1 Width	P2 Length	L Width	P Length	
TLEQS	155 61"	205 80 3/4"	260 102 3/8"	252 99 1/4"	
TLE16-16C	160 63"	200 78 3/4" <small>standard model *</small>	265 104 3/8"	247 97 1/4" <small>standard model *</small>	10 / 24,5 3 7/8" / 9 5/8"
TLE18-18C	180 70 7/8"	200 78 3/4" <small>standard model *</small>	285 112 1/4"	247 97 1/4" <small>standard model *</small>	12 / 22,5 4 3/4" / 8 7/8"
TLEKS	195 76 3/4"	205 80 3/4"	300 118 1/8"	252 99 1/4"	14 / 20,5 5 1/2" / 8 1/8"
		* 210 82 3/4" on request beds with container excluded		* 257 101 1/8" on request beds with container excluded	

Molteni & C

3—
3

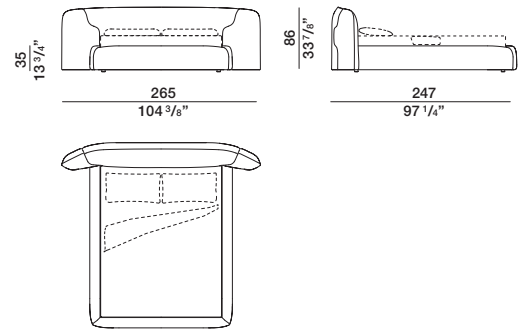
**bed taking a single slatted base
or 2 individual slatted bases**

TLEQS



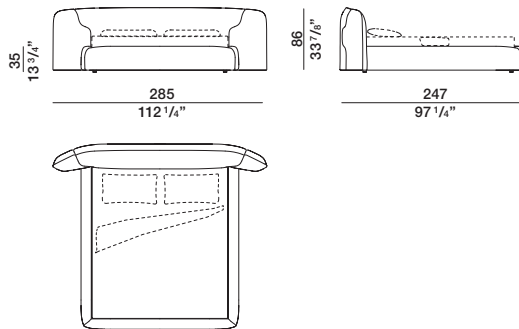
**bed taking a single slatted base
or 2 individual slatted bases**

TLE16



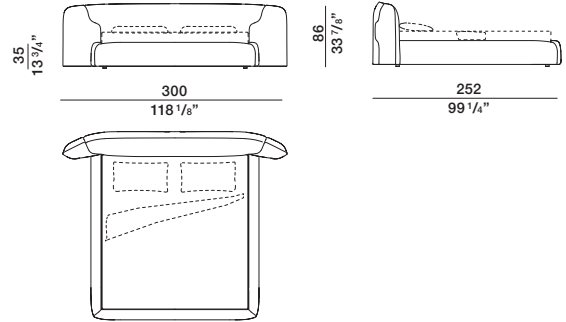
**bed taking a single slatted base
or 2 individual slatted bases**

TLE18



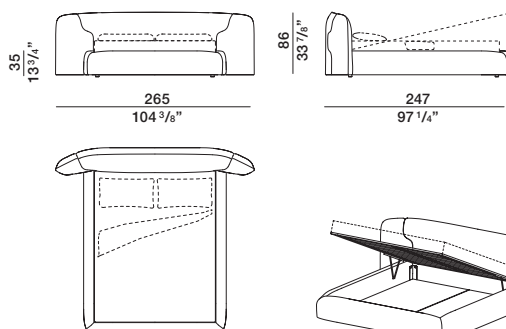
**bed taking a single slatted base
or 2 individual slatted bases**

TLEKS



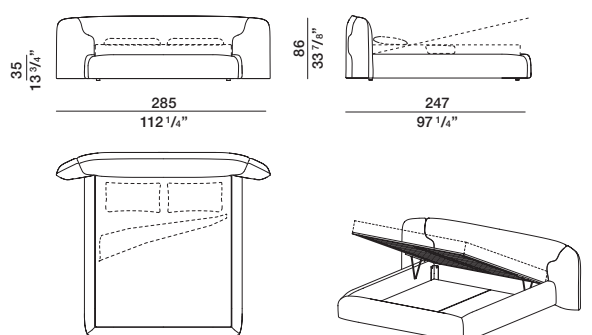
**double bed with tilting slatted base and container
under the slatted base**

TLE16C



**double bed with tilting slatted base and container
under the slatted base**

TLE18C



DATASHEET

REGISTERED
DESIGN

2026