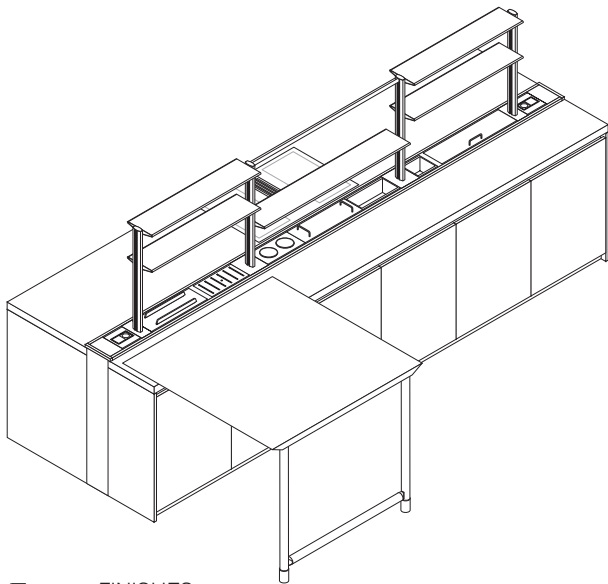


HI-LINE 6 FERRUCCIO LAVIANI 2012



A simple, linear, unitary project. Hi-Line 6 is more than just a kitchen, it is a space to be lived in. Rigorous forms, wealth of detail and attention to construction quality: plenty of technology and precisely defined volumes. A space organized with esprit de géométrie. The base units are taller, so as to store more and better. Hi-Line 6 is for those seeking a practical kitchen that can easily adapt even to small spaces. New finishes, different combinations but always with the high quality and style of Dada.



FINISHES

Island and linear composition
Titan lacquered base doors, Eucalyptus columns and Snack, Jolie grey worktop and splashback, pewter finish skirting and finger recess
Sistema XY– pewter finish
Woody stools– black stained ash



PLUSES

- Design by Ferruccio Laviani
- Contemporary and timeless design
- Finger recess opening without handles
- Hi quality technical features
- Drawers electrical opening as optional
- Base cabinets available in 3 different depths
- Wide design flexibility
- Transversal finish options

HI-LINE 6

Finger recess opening kitchen



H. unit structure = 828 mm

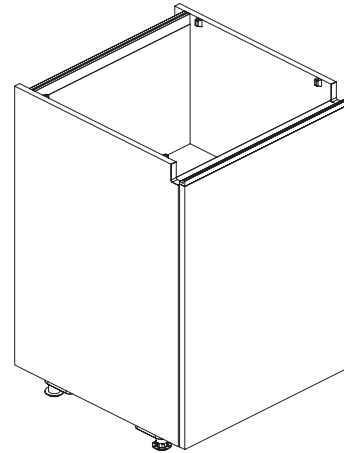
H. door = 797 mm

H. kitchen with 60 mm skirting = 888 mm

H. kitchen with 100 mm skirting = 928 mm

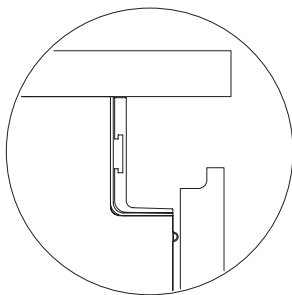
TH. door = 19 mm

D. Base = 331-595-745mm

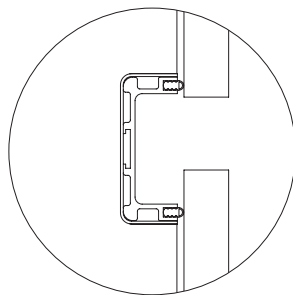


Horizontal finger recesses are used to open doors, drawers and pan drawers without handles. The finger recess can be selected as an opening method also for lower drawers and pan drawers, or a mechanical or electric push-pull opening can be selected as an alternative.

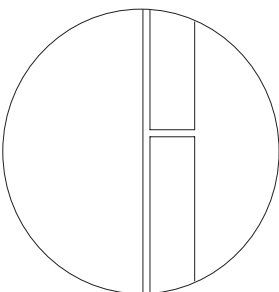
A
First front opening on top



B
Option with finger recess



C
Option with push-pull



FINISHES

Titan

Pewter

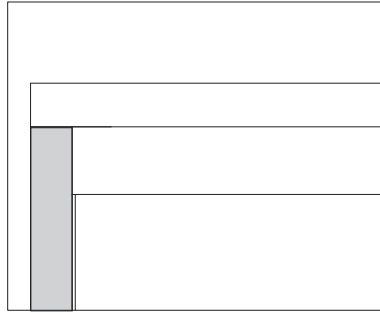
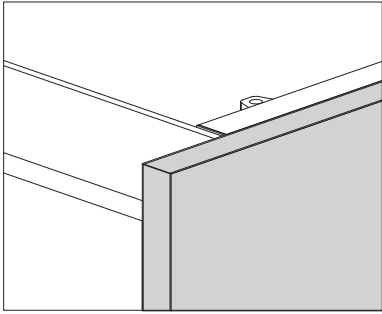
Bronze

Matt lacquer in range colours

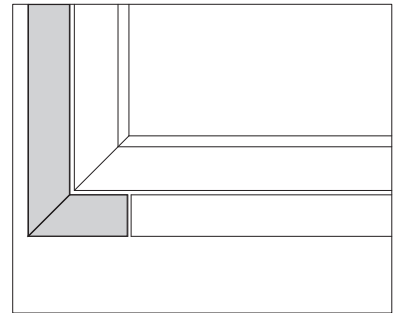
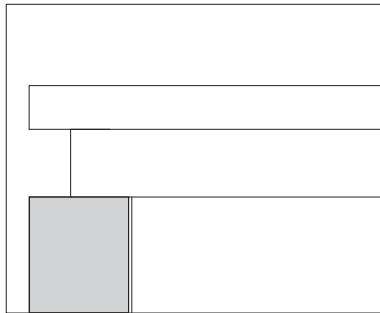
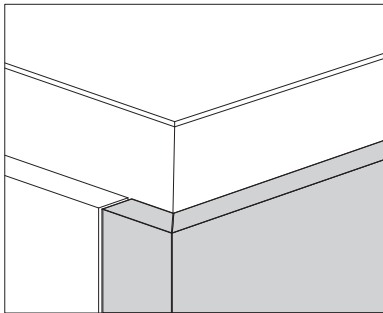
HI-LINE 6

Side panels

Additional end panel with square cross section
th 19 mm.



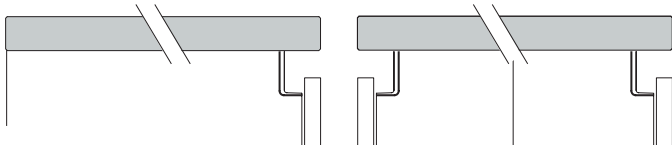
Additional end panel W 47 mm for side finger recess
passage, complete with horizontal finger recess.
Not available in laminate and Fenix® finishes.



HI-LINE 6

Worktop

Door th 19 mm



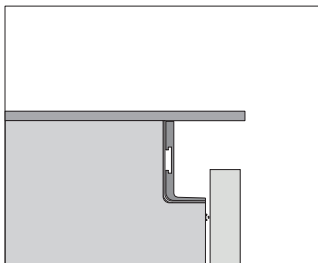
A - Wall composition

B - Island composition

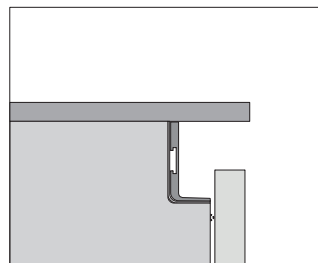
A - structure	A - worktop
331	356
595	620
745	770
B - structure	B - worktop
595	645
745	745
331 + 595	976
331 + 745	1126
595 + 595	1240



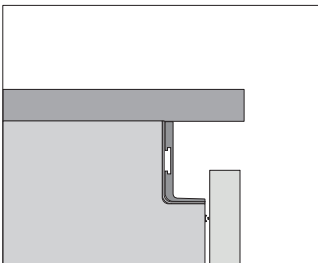
Finishes categories



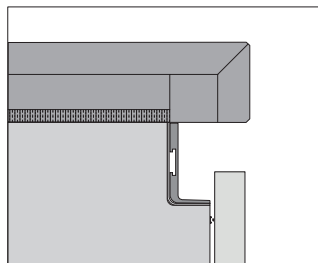
th 6 mm
FINISHES
 Stainless steel



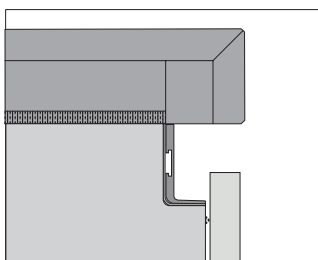
th 12 mm
FINISHES
 Ceramic
 Steel
 Glass



th 20 mm
FINISHES
 Laminate
 Fenix®
 Stones
 Steel



th 50 mm
FINISHES
 Laminate
 Fenix®
 Stones
 Silestone
 Dekton
 Cartapietra
 Corian®
 Steel



th 60 mm
FINISHES
 Stones

HI-LINE 6

Compositions



FINISHES

ISLAND AND LINEAR COMPOSITION—

Slate Structure
Titan lacquered base doors and side panels,
Eucalyptus columns and snack,
Jolie grey worktop and splashback,
Pewter skirting and finger recess

HI-LINE 6_WALL COMPOSITION

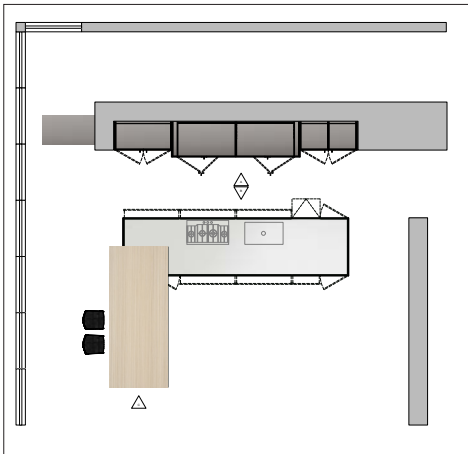
SLATE STRUCTURE

Eucalyptus base unit doors
Eucalyptus side panels
Jolie grey top sp.20
Jolie grey backsplash
Pewter skirting h.60
Pewter finger recess
HI6 lighting system
Eucalyptus column doors
Eucalyptus wall unit doors

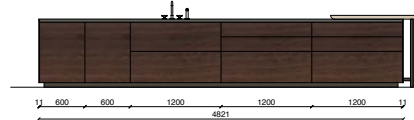
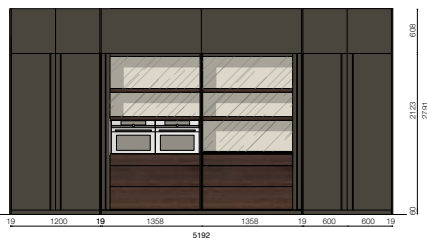
HI-LINE 6_COLUMNS

Slate structure
Titan lacq. Column doors
Titan lacq. Side panels
Pewter skirting h.60
Pewter finger recess

PLAN VIEW



FRONT VIEW



DOWNLOAD THE 2D/3D FILES

HI-LINE 6

Modularity

MODULE	LENGTH	HEIGHT	DEPTH	DOOR THICKNESS	DOOR THICKNESS WITH HANDLE
BASES	300 450 600 900 1200*	828	331 595 745"	19	

Door finishes

LM
BILAMINATES | PRICE RANGE 1

SILK CHALK WHITE	SILK SILICA	SILK DOVE GREY	KOS WHITE	MALÉ WHITE	LUXOR BEIGE
NATURAL OAK	WALNUT	PLASTER ANTHRACITE	EFESO GREY	INGO BLACK	ARIZONA BEIGE
CINNAMON OAK	COCOA OAK	CADET GREY	OTTAWA CASTORO	ANTRIM GREY	LONDON GREY

LM
BILAMINATES HQ | PRICE RANGE 2

LAVA	LINEN	ASH GREY
------	-------	----------

LP
LAMINATES | PRICE RANGE 2

SILK CHALK WHITE	SILK SILICA	SILK DOVE GREY
WHITE	LIGHT GREY	TASMANIA
PLASTER ANTHRACITE		

ES
WOODS | PRICE RANGE 6

LIGHT OAK	WALNUT	EUCALYPTUS
GRAPHITE OAK	GREY OAK	DARK WALNUT
BLACK OAK	THERMO OAK	LIGHT ELM
DARK ELM		

LS
SPECIAL LACQUERED | PRICE RANGE 6

GOLD	TITAN	PEWTER
BRONZE		

LX
FENIX® NTM | PRICE RANGE 4

BROMO GREY		

LX
FENIX® NTA | PRICE RANGE 7

ACCIAIO HAMILTON (NTA)

ES
WOODS | PRICE RANGE 7

DARK PALM

L0, LL, LE
LACQUERED | PRICE RANGE 5/7/8

WHITE	CHALK WHITE	PEARL
SILICA	SAND	DUNE
LIGHT GREY	DOVE GREY	PLATINUM
CLAY	DOLOMITE	LEAD
MOKA	LIGHT BLUE GREY	MUSTARD
ANTHRACITE	BLACK	COPPER
LONDON SKY	STARDUST	MOONLIGHT
SPICE		

LSH
SPECIAL LACQUERED | PRICE RANGE 7

METAL HYBRID BRONZE	METAL HYBRID SLATE	INOX STEEL
---------------------	--------------------	------------

IX
METALS | PRICE RANG 9