

# Molteni & C

## ANDROMEDA — LSM 2025

1—  
2



The Andromeda sideboard, created through a collaboration between UniFor and LSM, enriches the Molteni&C collection starting in 2025. The sideboard is characterized by four compartments, with two hinged doors at the center, and a side shelf that enriches the surrounding space. The entire product develops from a shiny steel “cusp” section with tapered edges. The base, a distinctive element, is positioned along the two internal sides, allowing the sideboard to “float” on the two lateral wings. The glass top finally enhances and harmonizes the overall design, completing the result with elegance and refinement.

### DATASHEET

REGISTERED  
DESIGN

2026

## FINISHES

stainless steel  
and black back-painted stopsol glass

## TECHNICAL INFORMATION

### STRUCTURE AND FEET

Shiny stainless steel.

### TOP

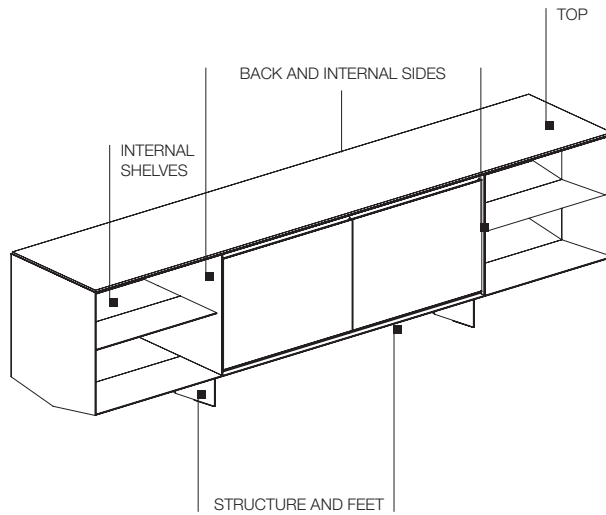
Black back-painted stopsol glass.

### BACK AND INTERNAL SIDES

Black back-painted stopsol glass.

### INTERNAL SHELVES

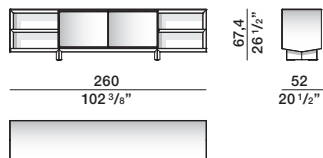
Black back-painted stopsol glass.



## DIMENSIONS

### cupboard

MA26/06



## DATASHEET

REGISTERED  
DESIGN

2026