

Molteni & C

BALTIMORA — MATTEO NUNZIATI 2023

1—
3



Baltimora is a double face island unit/display case, perfect for use in the centre of the room. Versatile and eclectic, it adapts to any use in the bedroom, creating a single unit with existing walk-in closets and wardrobes. Available in two sizes, it is elegantly designed to hold, display, and welcome any element destined for the dressing area. An extremely functional element with dual use: to hold bedroom objects and — with the bench and its soft stitching available in all fabrics and leathers in the Molteni&C collection — to create an unexpected, welcoming place that creates more room. The two drawers in the lower part of the bench add an additional touch. The island, with soft, rounded lines, consists of either a transparent glass top or an Eco Skin top, and a wood structure that supports the cushions available in all fabrics and leathers in the Molteni&C collection.



This symbol shows that the product has removable upholstery. Only qualified personnel can remove the upholstery of some of our products. If this information is pertinent, it will be included in the warnings section.



This symbol shows that the product is available on request in a fire resistant version that complies with the standards BS 5852 and TB 117-2013. The buyer is responsible for checking to make sure that the product is suitable and compliant with the requirements for the designated use and the current applicable laws and standards for the destination and use of the product.

DATASHEET

REGISTERED
DESIGN

2026

moltenigroup.com

Dimensions in centimeters and inches. The right to discontinue and make changes is reserved. This information is based on the latest product information available at the time of printing.

FINISHES

STRUCTURE FINISH

eucalyptus
graphite oak
coffee oak
sunrise oak

FINISHES OF TOP PROFILE / UPPER DRAWERS HANDLE

pewter colour - bronze - iris

TOP FINISHES

- transparent glass
- Eco Skin in the colours:
grey - mink - hemp - ivory
dark brown - earth - arctic - taupe

TECHNICAL INFORMATION

STRUCTURE

Chipboard panel covered in Eucalyptus and Oak wood veneer (side, back, and front panels).

GLASS TOP

Frame made of painted extruded aluminium and tempered extra-clear transparent glass.

ECO SKIN TOP

Frame made of painted extruded aluminium and chipboard panel covered in Eco Skin.

SEAT

Polyurethane foam padding with variable density and high bearing capacity. Cover in bonded velveteen.

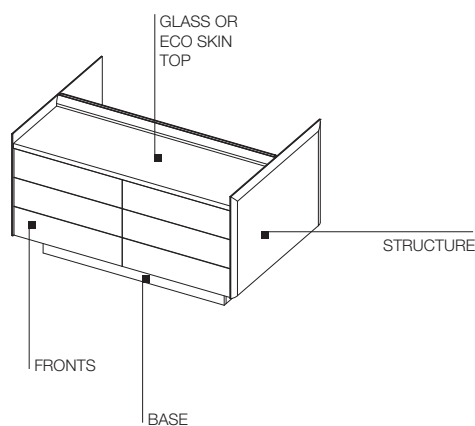
BASE

Chipboard panel with melamine facing, painted anthracite.

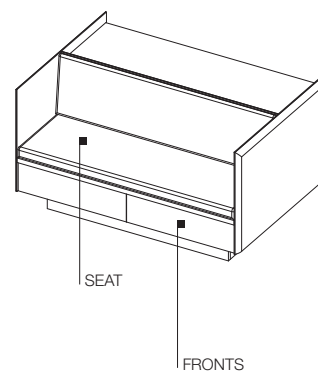


AVAILABLE IN FIRE-RESISTANT
VERSION TB117 AND BS5852
FOR A 12% SURCHARGE

side **A**



side **B**



DATASHEET

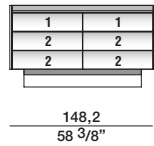
REGISTERED
DESIGN

2026

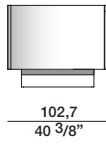
DIMENSIONS

island

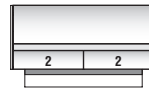
side **A**



83
32 5/8"

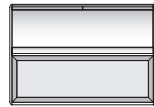


side **B**



legend

- 1 = drawer with handle
- 2 = drawer with pressure opening

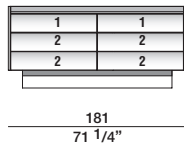


Eco Skin top
IB/1408

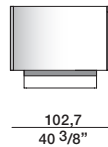
transparent glass top

island

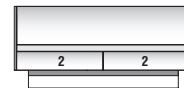
side **A**



83
32 5/8"



side **B**



legend

- 1 = drawer with handle
- 2 = drawer with pressure opening



Eco Skin top
IB/1808

transparent glass top

**accessories
for upper drawer**

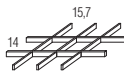
partition grid
grey saffiano
W 66,6 D 44,3
W 26 1/4" D 17 1/2"

W 83 D 44,3
W 32 5/8" D 17 1/2"

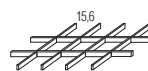
Eco Skin bottom

grey
W 66,4 D 44,3
W 26 1/8" D 17 1/2"

W 82,8 D 44,3
W 32 5/8" D 17 1/2"



CEGD/28



CEGD/29



CEQ/F28



CEQ/F29

DATASHEET

REGISTERED
DESIGN

2026