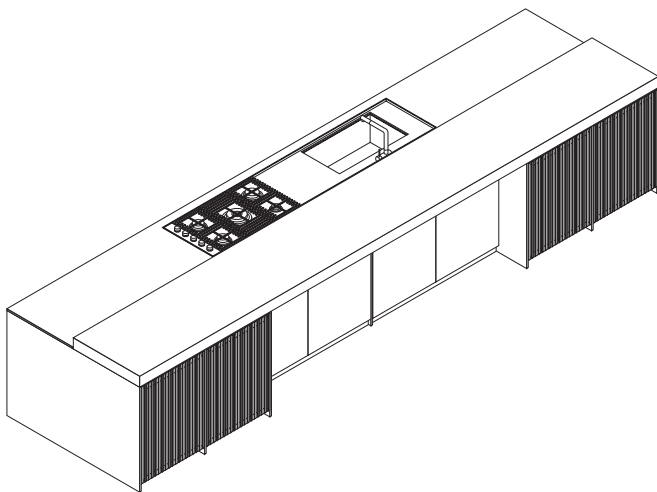


RATIO

VINCENT VAN DUYSSEN 2019



Ratio kitchen, designed by Vincent Van Duysen, has been updated in terms of its modularity and materials, while anyway retaining its buildinglike compositional forms and it represents the latest evolution of brand Dada. Metal grids define the basic architecture, wall units, columns, hoods and accessories. Full volumes, empty volumes and tops of different thicknesses are hooked to the slender and minimal techno/structural elements, creating an elegant interplay of balances. The Belgian designer proposes an island solution with furniture and accessories designed to satisfy the most discerning and sophisticated user. The 13 mm-thick vertically veined door features a new handle with a bronze finish. The choice of materials is oriented towards Mediterranean warmth and character, alternating between refined woods, such as the new eucalyptus finish, and natural stones such as Rapolano Travertine, interspersed with sophisticated metals.



FINISHES

Ratio island:
Black oak base with Slatted doors,
Black lava stone top
Open columns: Black oak backs
Black lacquered shelves
Operative column 2.0:
hybrid slate doors, black lava stone top
black oak bases, pewter wing shelves



PLUSES

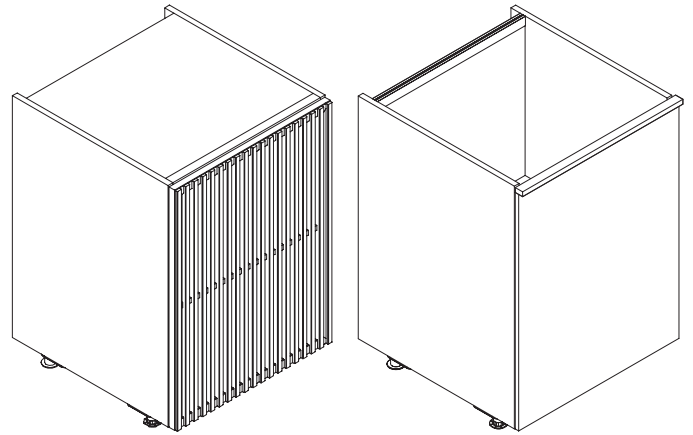
- Iconic design by Vincent Van Duysen
- Unique and highly recognizable design
- Strong architectural identity
- Material interplay of surfaces and thicknesses
- Formal austerity
- Sophisticated selection and match of materials
- Balance between full and empty volumes
- A kitchen protagonist of the space

RATIO

Handle opening kitchen



H. unit structure = 801 mm
H. door = 797 mm
H. kitchen with 60 mm skirting = 861 mm
H. kitchen with 100 mm skirting = 901 mm
TH. door = 13 mm (Aluminum+stratified MDF)
D. Base = 331-595-745mm



The 13 mm-thick vertically veined door features a new handle. The choice of materials is oriented towards Mediterranean warmth and character, alternating between refined woods, such as the new eucalyptus finish, and natural stones such as Rapolano Travertine, interspersed with sophisticated metals.



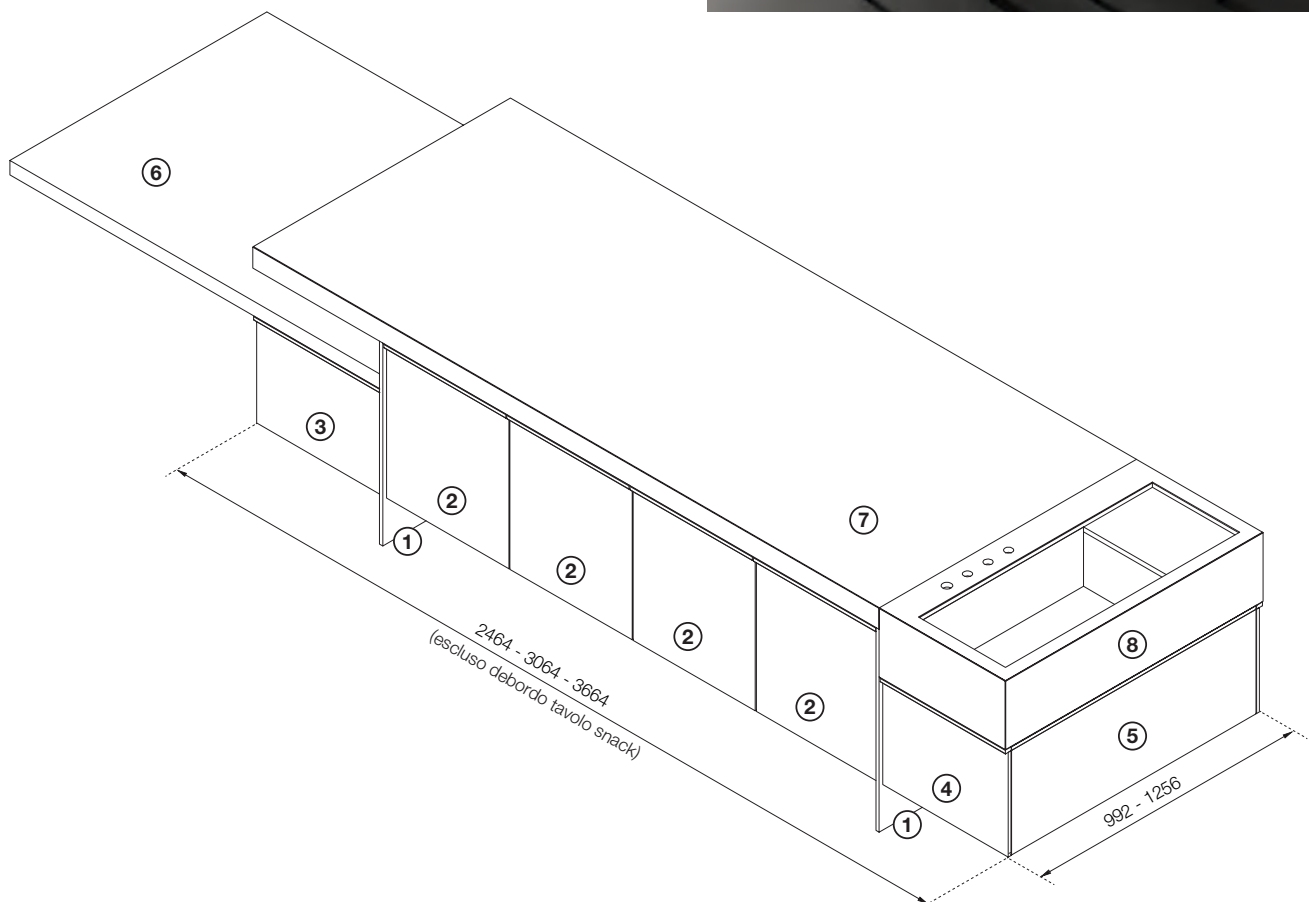
FINISHES
HANDLE PROFILE
Titan
Pewter
Bronze



Island

Vincent Van Duysen proposes an island solution with furniture and accessories designed to satisfy the most discerning and sophisticated user. In addition, snack counters and innovative washing and cooking solutions are seamlessly integrated into the design.

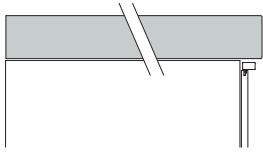
1. Load bearing structure with bridge sides
2. Central base units H 631 mm
3. Terminal base units H 431 mm
4. Terminal sink base units H 431 mm
5. Additional end panels
6. Snack table th 62 mm
7. Worktop th 90 mm overhanging on snack
8. Ratio sink



RATIO

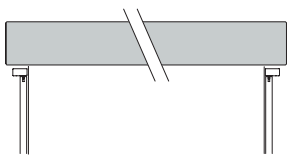
Worktop

Door th 13 mm



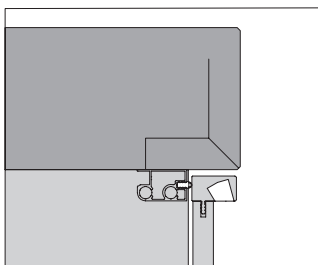
Wall composition

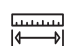
structure	worktop
331	364
595	628
745	778



Island composition

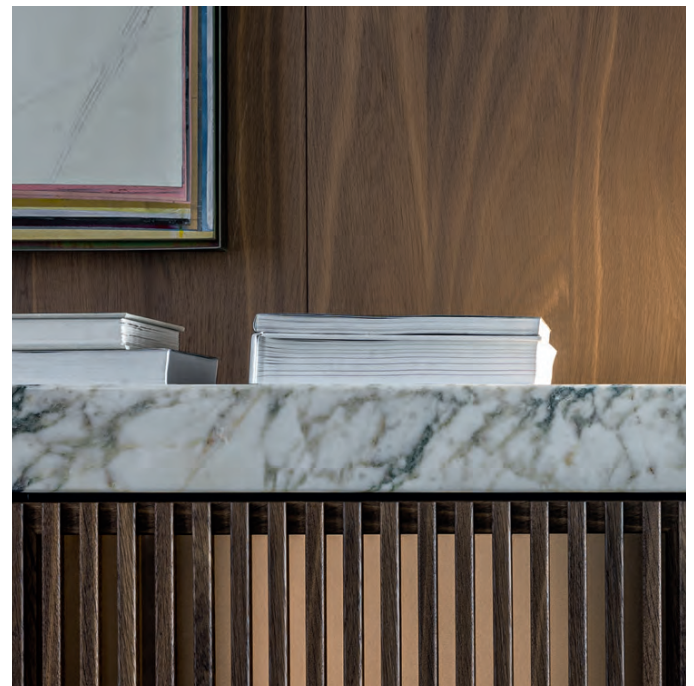
structure	worktop
595	661
331 + 595	992
595 + 595	1156
745	811
745 + 331	1142



 th 90 mm



FINISHES
Silestone
Dekton
Cartapietra
Ceramics
Stones



RATIO

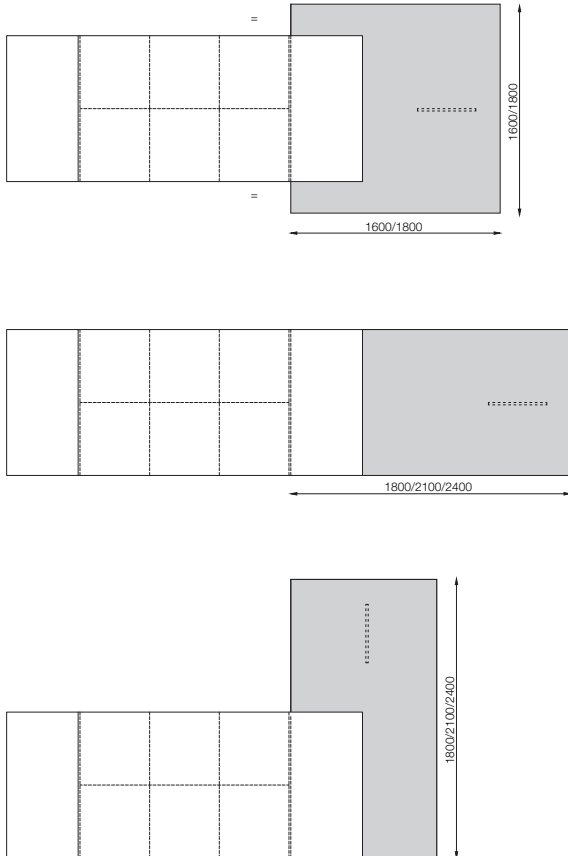
Dine table — sp 62 mm

- Snack table th 62 mm
- Available in the range of wood finishes
- Snack table can be fixed perpendicular or aligned to the main island

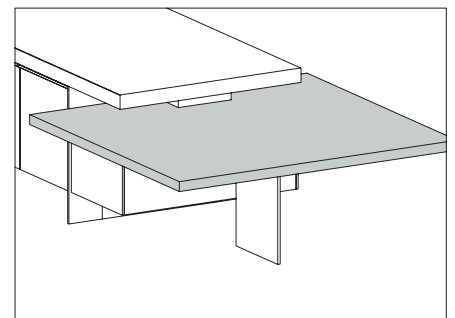
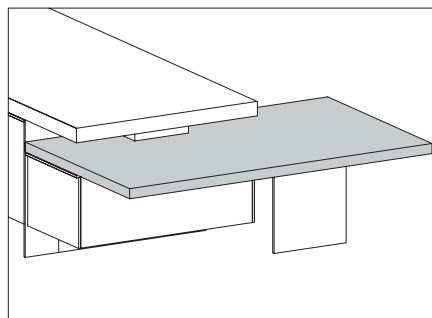
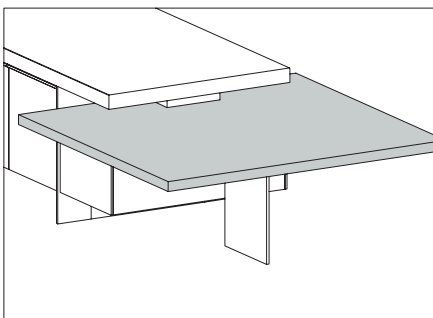


WORKTOP FINISHES
Wood

STRUCTURE FINISH
Pewter
Titan
Bronze



Dine table solutions



Compositions



FINISHES

RATIO ISLAND

Black oak base with Slatted doors,
Black lava stone top
Black oak backs, Black lacquered
shelves
Hybrid slate doors
Black lava stone top,
Black oak bases,
Pewter wing shelves,
Woody stools
Black stained ash

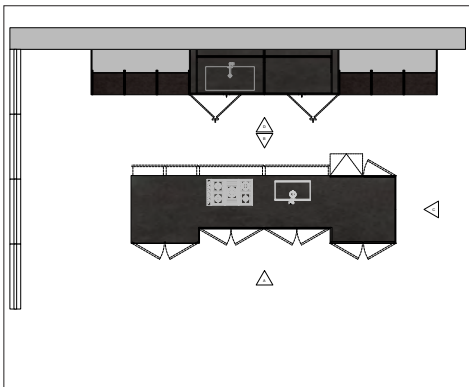
EQUIPPED OPEN COLUMNS

Black oak structure
Black oak shelves
Clear glass shelves
Black lacq. Bottle racks
Black lacq. Glass holder
Led light on both sides

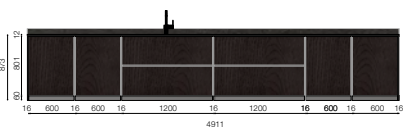
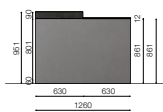
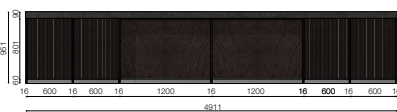
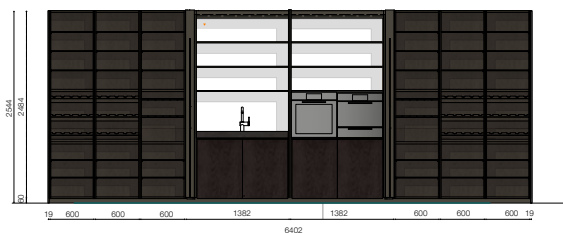
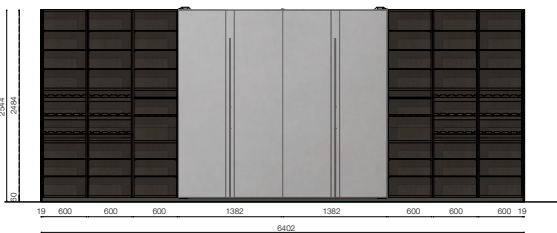
2.0 TECHNICAL COLUMNS

Slate structure
Black oak base unit doors
Pewter skirting and handles
Hybrid slate external doors
Matt black lava worktops th.90
Matt black lava backsplash
Matt black lava integrated sink
(on Left)
Pewter "wing" lighting shelves
Backlighted lid
Pewter vertical handles mod.
Tivali&more
Pewter skirting h.60

PLAN VIEW



FRONT VIEW



DOWNLOAD THE 2D/3D FILES

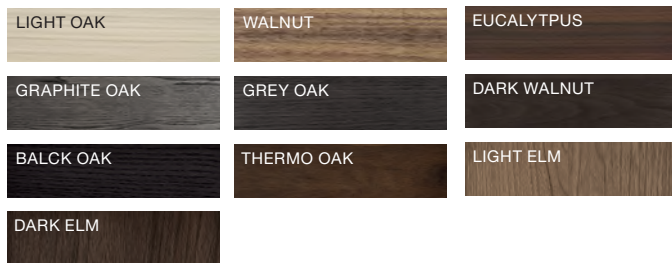
RATIO

Modularity

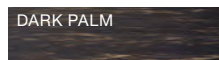
MODULE	LENGTH	HEIGHT	DEPTH	DOOR THICKNESS	DOOR THICKNESS WITH HANDLE
ON FLOOR BASES	300 450 600	801 601	331 595 745	13	28
SUSPENDED BASES	900 1200	631 431	331 595		

Door finishes

ES WOODS | PRICE RANGE 6



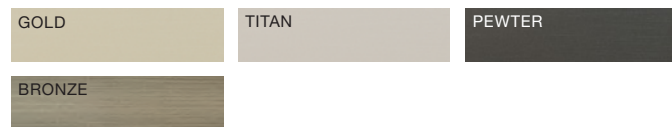
ES WOODS | PRICE RANGE 7



LO, LL, LE LACQUERED | PRICE RANGE 5/7/8



LS SPECIAL LACQUERED | PRICE RANGE 6



LSH SPECIAL LACQUERED | PRICE RANGE 7

