

# Molteni & C

## 606 — RODOLFO DORDONI 2010

1—  
3



A range of drawer units distinguished by a clean and elegant design, characterized by the handle-free front. 606 is available either with a floor standing base or supported by a metal frame. Thanks to its wide range of finishes, 606 is a versatile product easily fitting to any furnishing ambience.

**DATASHEET**

REGISTERED  
DESIGN

IX.2022

**moltenigroup.com**

Dimensions in centimeters and inches. The right to discontinue and make changes is reserved. This information is based on the latest product information available at the time of printing.

## FINISHES

### DRAWER UNIT FINISHES

matt lacquer colours in the Molteni colour range - eucalyptus - graphite oak

### GLASS TOP FINISH

coloured etched glass in the Molteni colour range

### FLOOR STANDING BASE FINISH

anthracite

### METAL FRAME FINISH

shiny chrome - black nickel

# Molteni & C

## TECHNICAL INFORMATION

### INTERNAL STRUCTURE

Particleboard panel, coated with melamine resin.

### EXTERNAL AND FRONT FINISH (MATT LACQUERED VERSION)

Particleboard panel, coated with melamine resin and painted in shades from the “Molteni Range”.

### EXTERNAL AND FRONT FINISH (WOOD VERSION)

Particleboard panel veneered with sliced Oak (*Quercus*) or Eucalyptus (*Eucalyptus globulus*).

### FRAME

In chrome plated steel.

### GLASS TOP

Glass (th. 8 mm), tempered, etched and coloured with the colours in the “Molteni Range”.

### SPACER

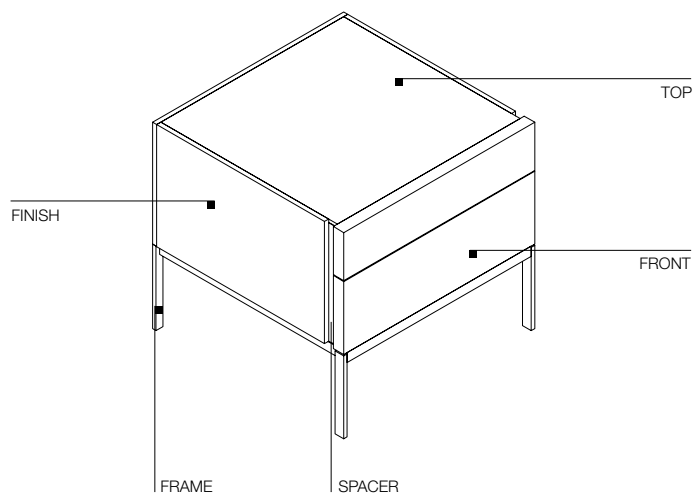
MDF panel with wood veneer in Oak, Eucalyptus or with melamine paper facing painted in the “Molteni Range” colours.

### SIDES AND INTERNAL DRAWER BOTTOM

Particleboard panel, coated with melamine resin.

### ADJUSTABLE FEET

Non-skid plastic material.



## DATASHEET

REGISTERED  
DESIGN

IX.2022

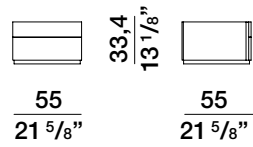
**DIMENSIONS**

**Notes**

- ▶ The drawer units in matt lacquer can be fitted, on request, with a spacer in between structure and front in a different colour than the drawer unit itself.
- ▶ Standard version comes with partially extractable runners. Fully extractable runners have a surcharge per drawer.

**bedside unit with 2 drawers**

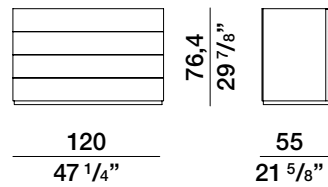
**SCZ2**



glass top

**drawer unit with 4 drawers**

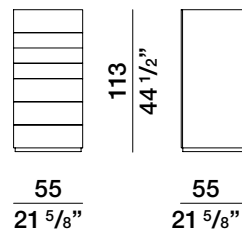
**SCZ4**



glass top

**drawer unit with 7 drawers**

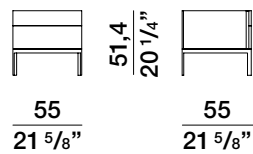
**SCZ5**



glass top

**bedside unit with 2 drawers**

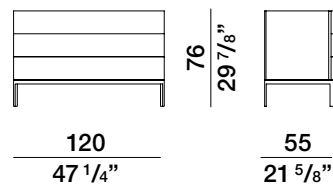
**SCC2**



glass top

**drawer unit with 3 drawers**

**SCC3**



glass top