

# Molteni & C

## 45°/VETRINA — RON GILAD 2013

1—  
2



A showcase designed to display and contain precious objects and books. The result is a transparent solid that invites the gaze to linger on its contents. The shelves are rotated and bevelled, creating a displacement from a 90 ° angle to 45 ° without edges. Geometrically rotating surfaces that create 45° smoothed edges achieved by using a metal joint onto which aluminum profiles are hooked, veneered with precious wood types. The opening is totally invisible with the exception of a small key on the lateral profile.

### DATASHEET

REGISTERED  
DESIGN

IX.2022

**FINISHES**

**Profiles wooden finishes**

American walnut - black oak

**Internal glass shelves finishes**

clear glass

**TECHNICAL INFORMATION**

**WOOD BASE**

Multi-layer beech panel covered with American Walnut (*Juglans nigra*) or Oak (*Quercus*) veneer.

**PERIMETER STRUCTURE AND DOOR PROFILES**

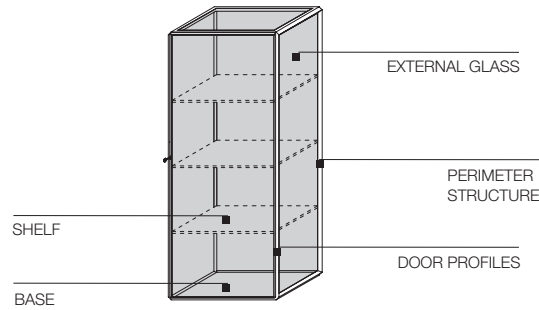
Extruded aluminium profile covered with American Walnut (*Juglans nigra*) or Oak (*Quercus*) veneer.

**EXTERNAL GLASS**

Tempered transparent extra-light glass, th. 4 mm.

**INTERNAL SHELVES**

Tempered transparent extra-light glass, th. 8 mm.

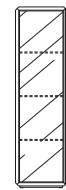
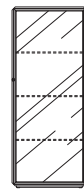


**DIMENSIONS**

**Notes**

The 3 internal shelves are compulsory

**GVA6/14  
with door**



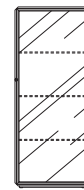
144  
56 3/4"

59,5  
23 3/8"

41  
16 1/8"



**GVA6/14K  
with door and LED light**



144  
56 3/4"

59,5  
23 3/8"

41  
16 1/8"



**glass shelf**

**GVR16**



**DATASHEET**

REGISTERED  
DESIGN

IX.2022