

MATEO — VINCENT VAN DUYSSEN 2023

1—
4



Vincent Van Duysen revisits the concept of dining, giving it character with a new table design available in two different configurations and two heights. The table, featuring a central pedestal with a cylindrical and conical shape vertically split in two at the base, is available in both a round and an oval version with tapered edges, adapting perfectly to any type of environment. The conical base is made using a curved plywood mould. When the two moulded halves are placed together, a central gap is created, giving the base an unexpectedly unique character. The internal structure provides solidity due to an invisible, painted metal rod, ensuring that the base and top are securely connected. 'When designing the central pedestal,' says Van Duysen, 'I drew inspiration from the solidity of a company with almost 90 years of history. These roots are anchored deeply, providing a solid foundation for the future.' The Mateo table is available in two versions: dining and lounge. Mateo can be enhanced with a rotating central tray, or Lazy Susan, a typical element in Oriental culture, providing a practical way to serve all guests and creating an intimate, sociable atmosphere.

DATASHEET

REGISTERED
DESIGN

IX.2023

FINISHES

TOP FINISHES

- Wood: coffee oak / sunrise oak
- Glossy lacquer: in the colours of the Molteni&C range
- Emperador dark with matt or glossy polyester finish
- Black marquina with matt or glossy polyester finish
- Calacatta with matt or glossy polyester finish

BASE FINISHES

- Burnished matt lacquer
- Wood: coffee oak / sunrise oak
- Glossy lacquer: in the colours of the Molteni&C range

LAZY SUSAN MARBLE FINISHES

- Emperador dark with matt or glossy polyester finish
- Black marquina with matt or glossy polyester finish
- Calacatta with matt or glossy polyester finish

TECHNICAL INFORMATION

WOOD BASE

Internal metal structure with steel counterweights (where necessary). Curved outer shell made of moulded, edge-glued medium-density fibreboard covered in wood veneer.

LACQUERED/BURNISHED BASE

Internal metal structure with steel counterweights (where necessary). Curved outer shell made of moulded rigid polyurethane painted in the colours of the Molteni&C range.
For lounge tables, Ø 200 and 250, curved outer shell made of medium-density moulded fibreboard, painted.

WOOD OR PAINTED TOP

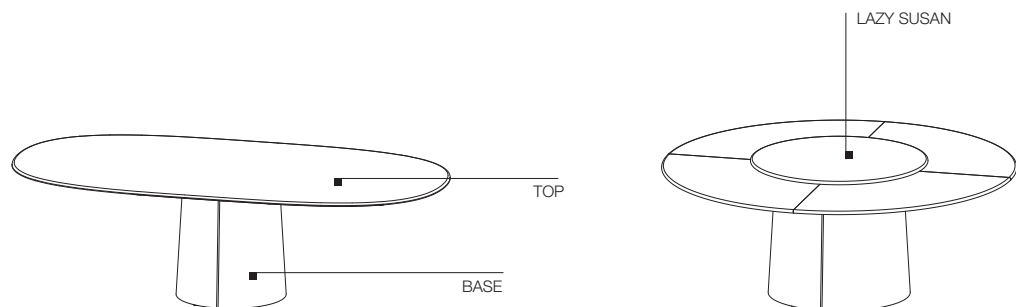
Medium-density fibreboard panel covered with wood veneer or painted in the colours of the Molteni&C range.

MARBLE TOP

Marble with glossy or matt surface treatment. Support in laminate-faced particle board or medium-density fibreboard panel painted black. For the Ø 250 version, the top support consists of a frame in painted welded steel.

MARBLE LAZY SUSAN

Marble, with matt or glossy surface treatment. Rotating mechanism in anodised aluminium with details in different materials.



DATASHEET

REGISTERED
DESIGN

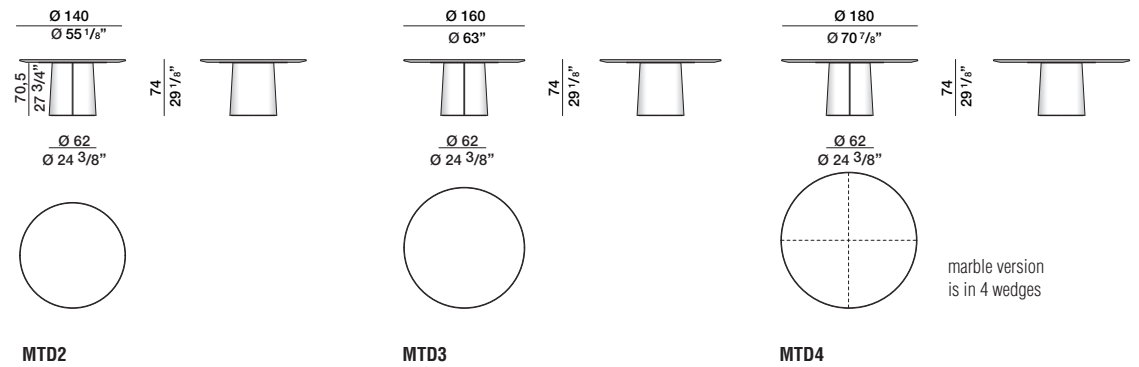
IX.2023

DIMENSIONS

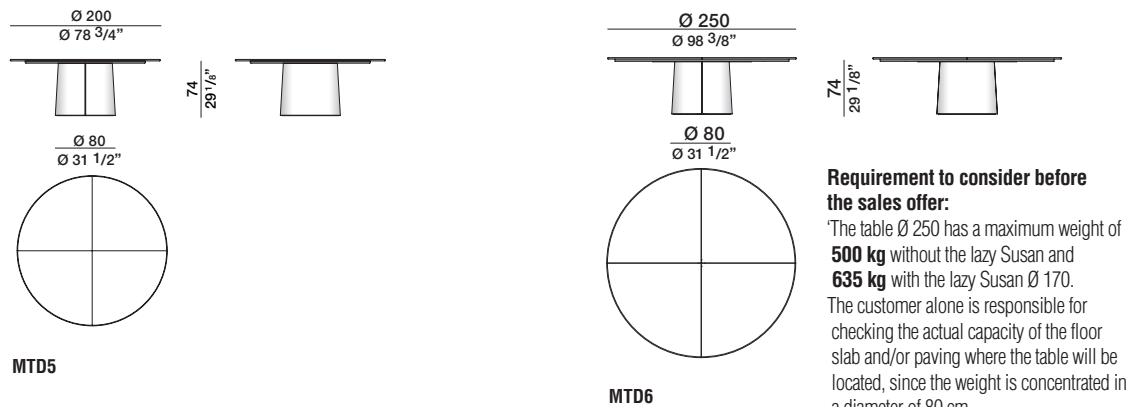
Notes

No reductions of any kind or changes to the types are possible.

round dining tables



round dining tables



Requirement to consider before the sales offer:
The table Ø 250 has a maximum weight of **500 kg** without the lazy Susan and **635 kg** with the lazy Susan Ø 170. The customer alone is responsible for checking the actual capacity of the floor slab and/or paving where the table will be located, since the weight is concentrated in a diameter of 80 cm. Molteni&C S.p.A. is not liable for any damage to property and/or people.

Lazy Susan Ø 80 th 4
for dining tables Ø 160 / Ø 180

Lazy Susan Ø 100 th 4
for dining tables Ø 180

Lazy Susan Ø 120 th 4
for dining tables Ø 200

Lazy Susan Ø 170 th 4
for dining table Ø 250



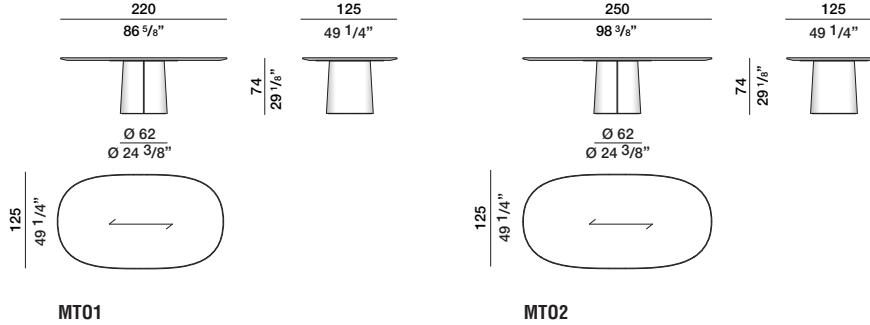
DATASHEET

REGISTERED
DESIGN

IX.2023

DIMENSIONS

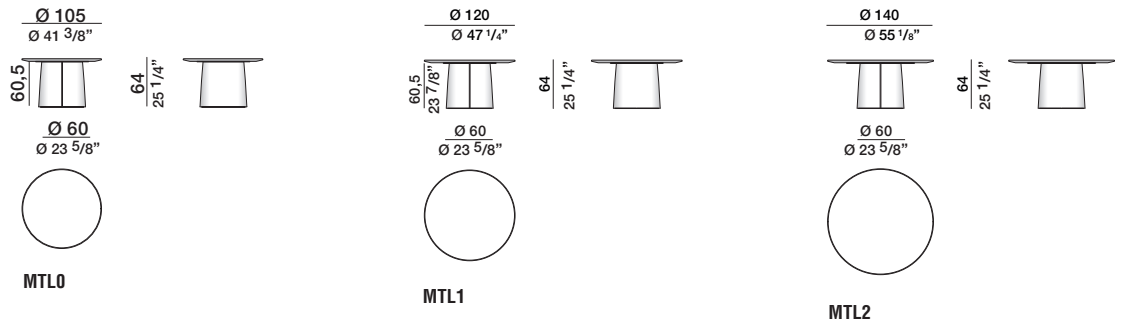
oval dining tables



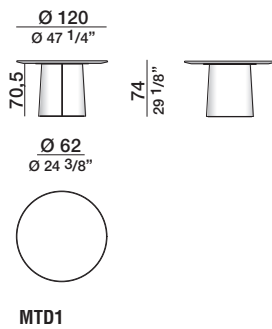
Molteni & C

4—
4

round lounge tables H 64



round lounge table H 74



DATASHEET

REGISTERED
DESIGN

IX.2023