

Molteni & C

OVIDIO — VINCENT VAN DUYSSEN 2023

1—
3



The Ovidio bed by Vincent Van Duysen is designed to be the centrepiece of the bedroom: an extraordinary combination of sober elegance and utmost comfort, where no detail is left to chance and the leading role is played by the headboard. “This new bed is characterized by a blend of many details, a very elegant object that converses with a modern style,” states Vincent Van Duysen. The headboard, a synthesis of research and refinement, is available both in leather and fabric. A discreet smoked metal frame with rounded corners carefully defines the structure. The front part, where the profile is straight, is covered in leather, available in the same colour as the upholstery (tone-on-tone) or in contrasting shades, allowing for the choice of a bolder or more subdued aesthetic. The facade is further enriched by “diamond” stitching that runs vertically throughout the element. The bed is available in different dimensions, for maximum flexibility within the space. Ovidio is a contemporary classic that combines modern design with unparalleled comfort. The bed’s attention to detail, including the hand-stitched vertical seams in contrasting thread and flat aluminium frame, make it a truly exceptional piece of furniture and a standout addition to the bedroom.

In case of customer slatted base and/or mattress, check the correspondence of the measurements with the standard ones in the price list.



This symbol shows that the product has removable upholstery. Only qualified personnel can remove the upholstery of some of our products. If this information is pertinent, it will be included in the warnings section.



This symbol shows that the product is available on request in a fire resistant version that complies with the standards BS 5852 and TB 117-2013. The buyer is responsible for checking to make sure that the product is suitable and compliant with the requirements for the designated use and the current applicable laws and standards for the destination and use of the product.

DATASHEET

REGISTERED
DESIGN

2026

moltenigroup.com

Dimensions in centimeters and inches. The right to discontinue and make changes is reserved. This information is based on the latest product information available at the time of printing.

FINISHES

FINISH OF HEADBOARD INSERTS

Leather in the colours from the Molteni&C range

TECHNICAL INFORMATION

HEADBOARD

Structure in solid spruce (Picea Abies) and medium density fibreboard panels. Polyurethane foam padding with high firmness. Cover in bonded velveteen, cotton, and polyester fibre.

HEADBOARD PROFILE

Aluminum profile with leather inserts in the colours in the Molteni&C range.

BED SURROUND

Frame in medium density fibreboard panels with polyurethane foam padding. Cover in bonded velveteen, cotton, and polyester fibre.

BED SURROUND PROFILE

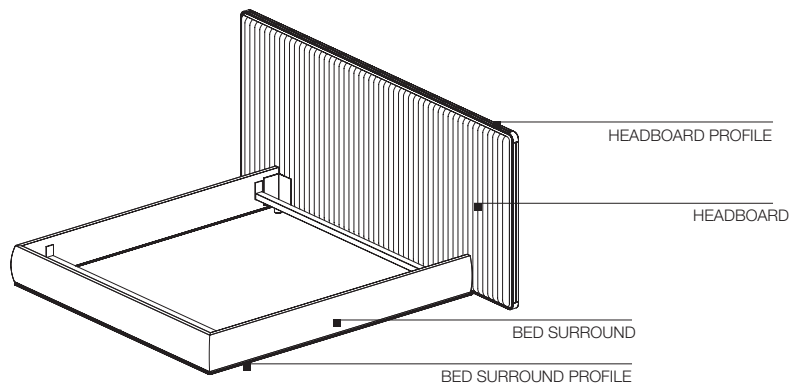
Painted aluminium profile, anodized aluminium feet with non-slip plastic tips.

BED FRAME SPACER

Plastic, aluminium feet with non-slip plastic tips.



AVAILABLE IN FIRE-RESISTANT
VERSION TB117 AND BS5852



DATASHEET

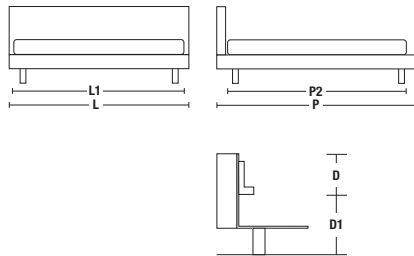
REGISTERED
DESIGN

2026

DIMENSIONS

Notes

- Upon request, a depth of 210 cm (internal measurement) is available on OLE16-OLE18-OLE20 with a surcharge.
- **The headboard must rest against the wall.**
- There are no upholstered versions, even for the outer part.



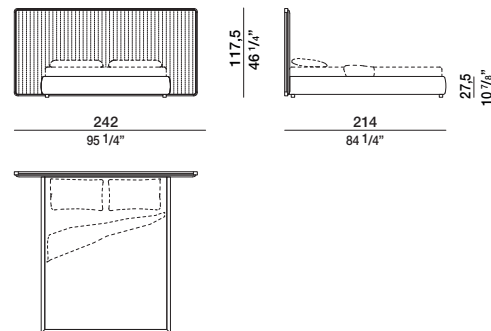
Molteni & C

3—
3

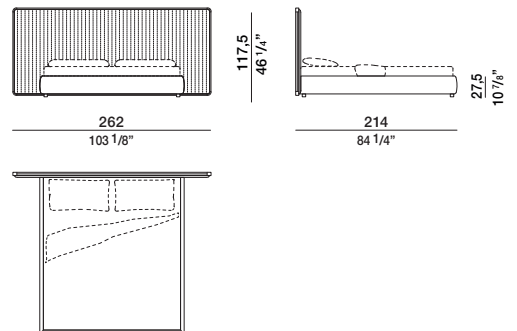
	INNER DIMENSIONS		OUTER DIMENSIONS		D / D1 Space for insertion of the slatted base
	L1 Width	P2 Depth	L Width	P Depth	
OLE16	160 63"	201 79 1/8"	242 95 1/4"	214 84 1/4"	7,5/21 3' 8 1/4" 9/19 3 1/4" / 7 1/2" 11,8/17 4 5/8" / 6 3/4"
OLE18	180 70 7/8"	201 79 1/8"	262 103 1/8"	214 84 1/4"	
OLEKS	193,5 76 1/8"	206 81 1/8"	262 103 1/8"	218 85 7/8"	
OLE20	200 78 3/4"	201 79 1/8"	262 103 1/8"	214 84 1/4"	

beds

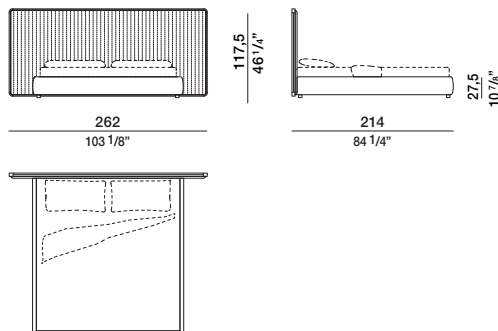
OLE16



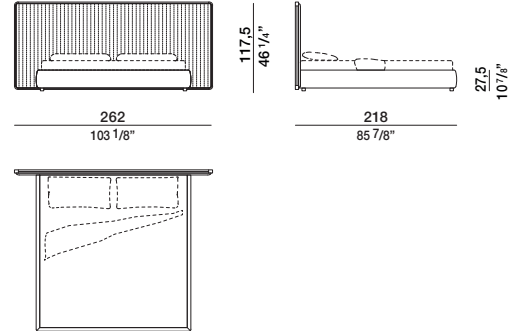
OLE18



OLE20



OLEKS



DATASHEET

REGISTERED
DESIGN

2026